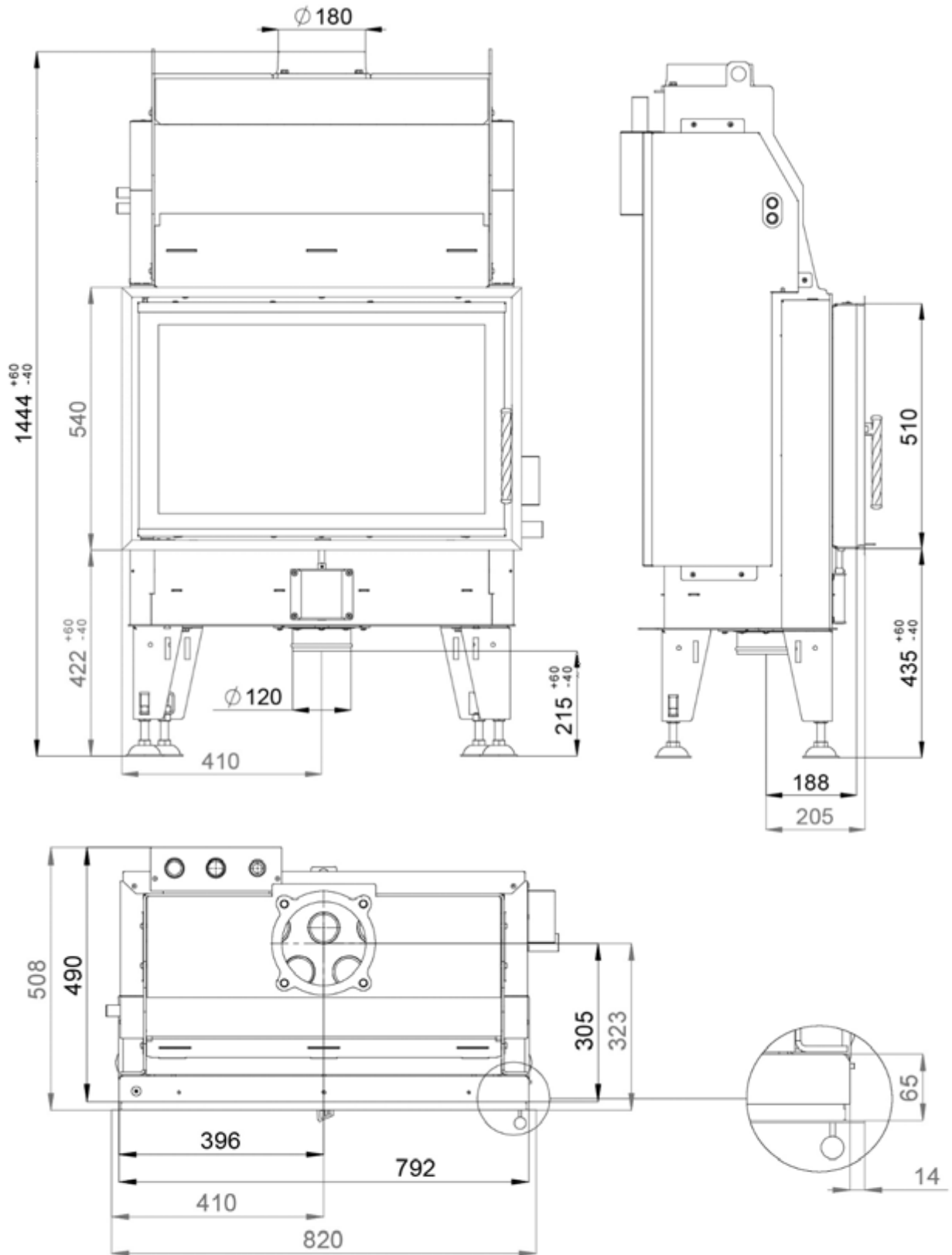


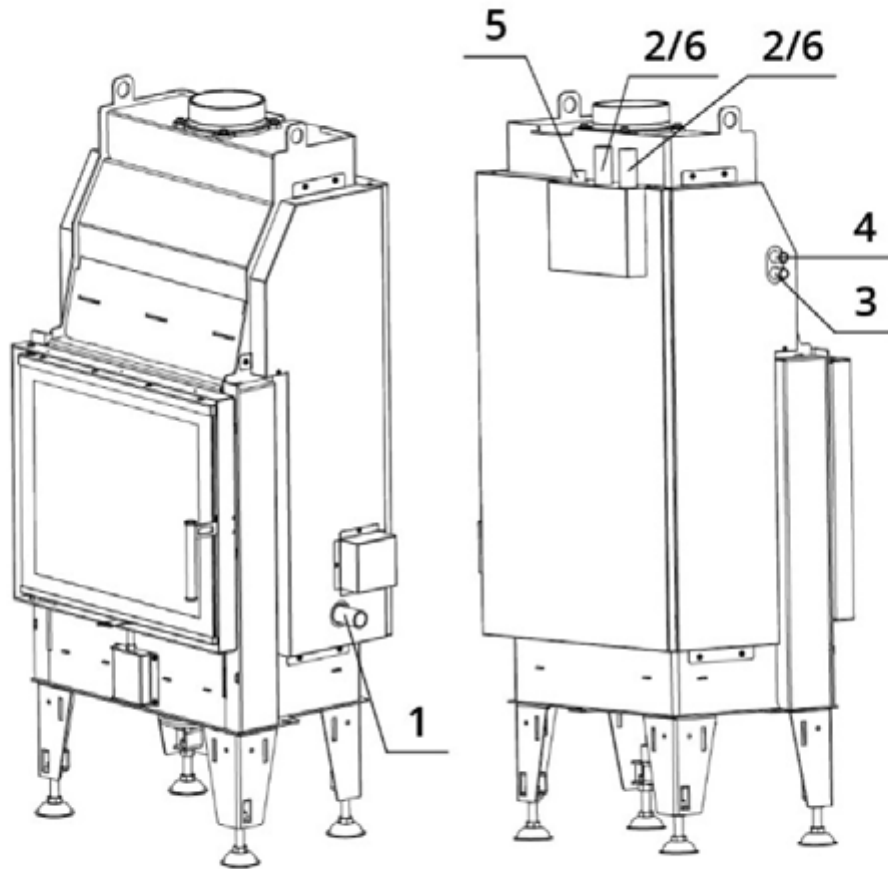
CV inbouwhaard

Optimum 80



CV inbouwhaard

Optimum 80



1. Cold water inlet to the heat exchanger (return), external thread 1"
2. Hot water outlet from the heat exchanger (riser), external thread 1"
3. Cold water inlet to thermal protection, external thread 1/2"
4. Heated water outlet from thermal protection, external thread 1/2"
5. Inlet for venting valve, internal thread 1/2"
6. Thermal Input Sensor, external thread 1"