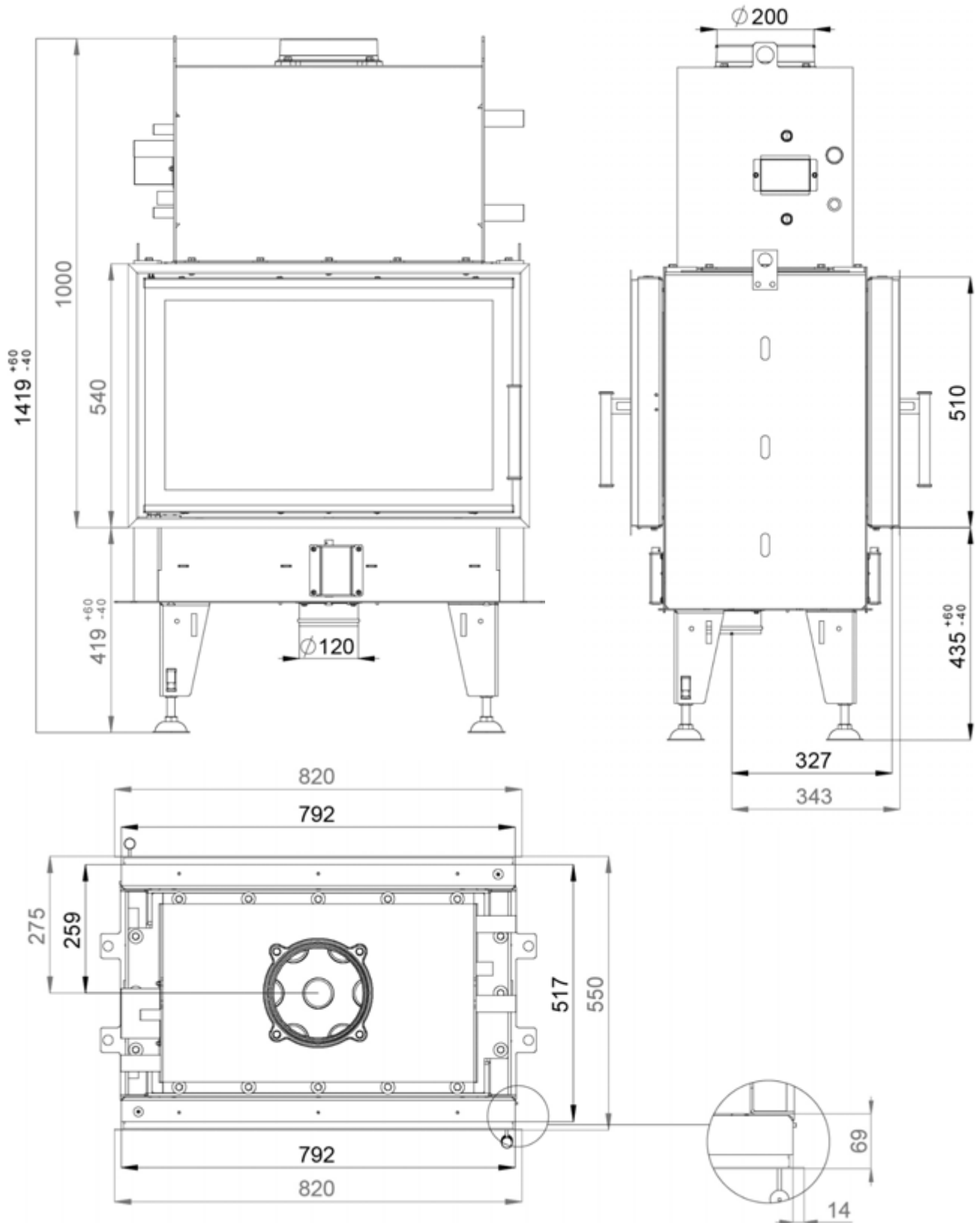


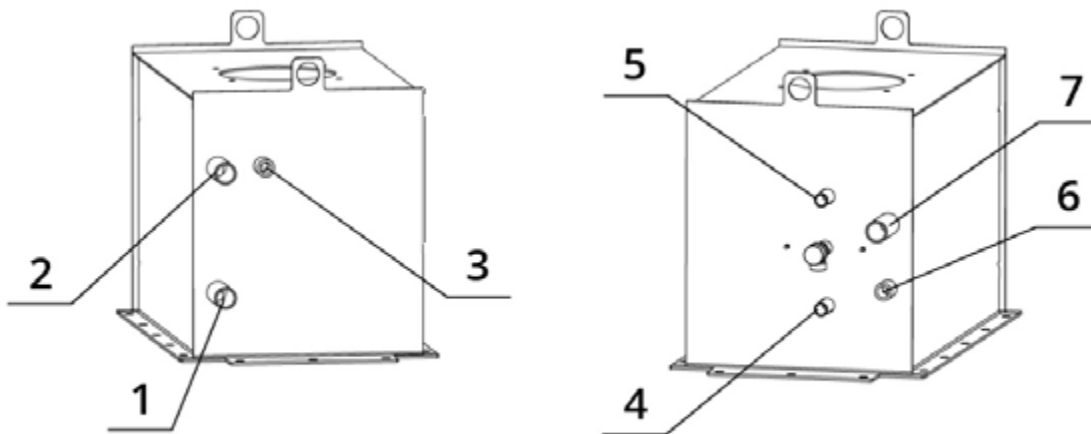
CV inbouwhaard

Tunnel draai-daaideur



CV inbouwhaard

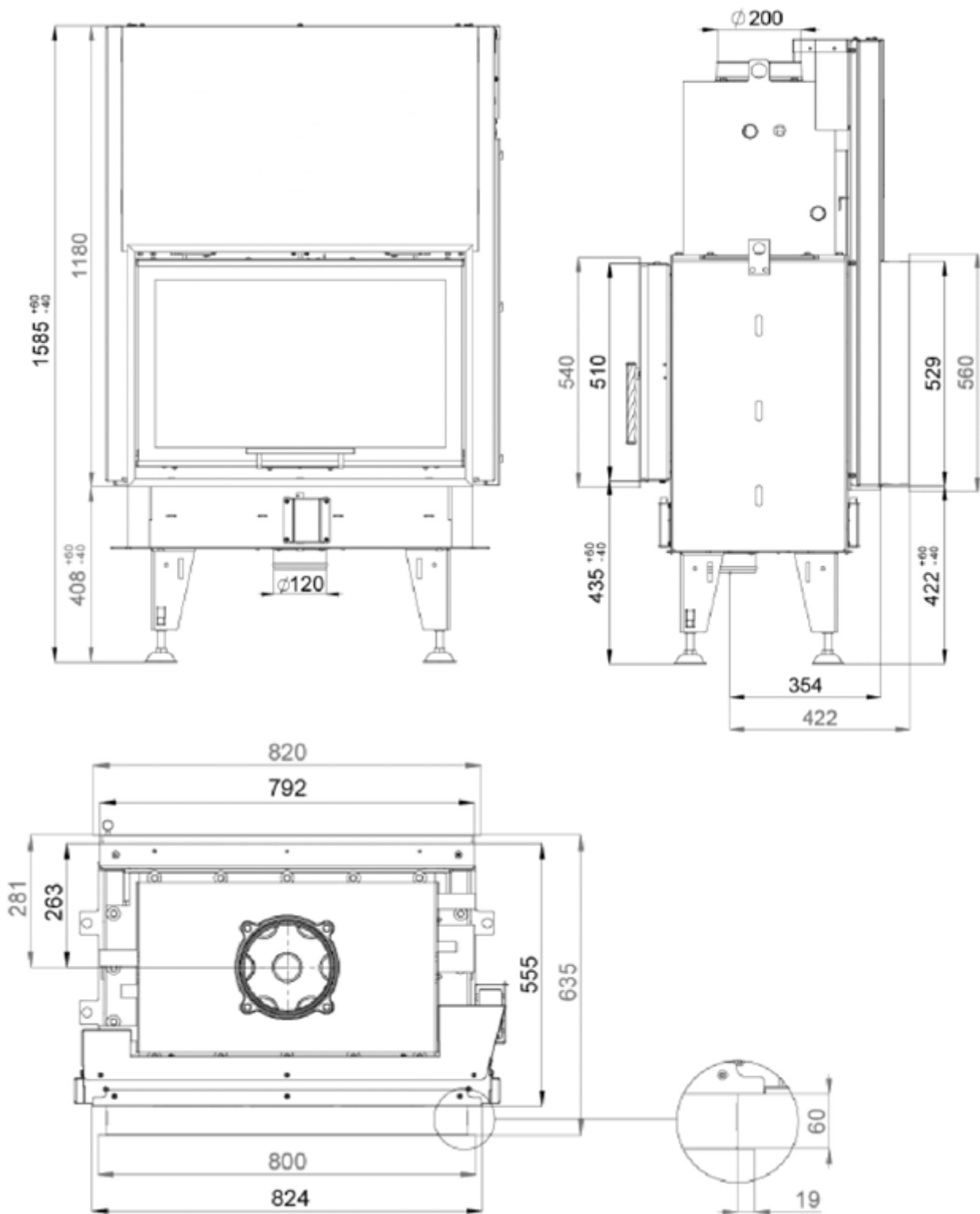
Tunnel draai-draaideur



1. Cold water inlet to the heat exchanger (return), external thread 1"
2. Hot water outlet from the heat exchanger (riser), external thread 1"
3. Inlet for venting valve, internal thread 1/2"
4. Heated water outlet from thermal protection, external thread 1/2"
5. Cold water inlet to thermal protection, external thread 1/2"
6. Inlet for pressure relief valve, internal thread 1/2"
7. Thermal Input Sensor, external thread 1"

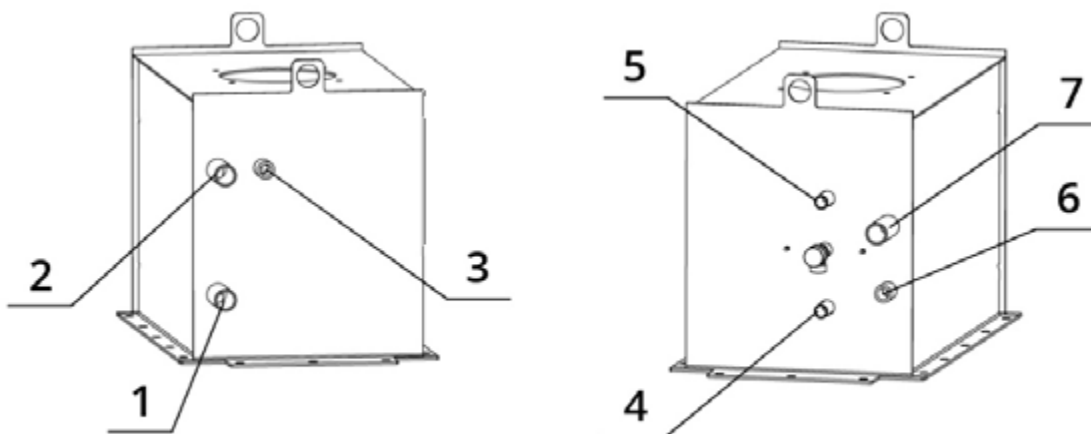
CV inbouwhaard

Tunnel draai-liftdeur



CV inbouwhaard

Tunnel draai-liftdeur



1. Cold water inlet to the heat exchanger (return), external thread 1"
2. Hot water outlet from the heat exchanger (riser), external thread 1"
3. Inlet for venting valve, internal thread 1/2"
4. Heated water outlet from thermal protection, external thread 1/2"
5. Cold water inlet to thermal protection, external thread 1/2"
6. Inlet for pressure relief valve, internal thread 1/2"
7. Thermal Input Sensor, external thread 1"