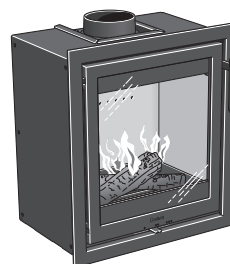


Dimensions diagram

Ci2

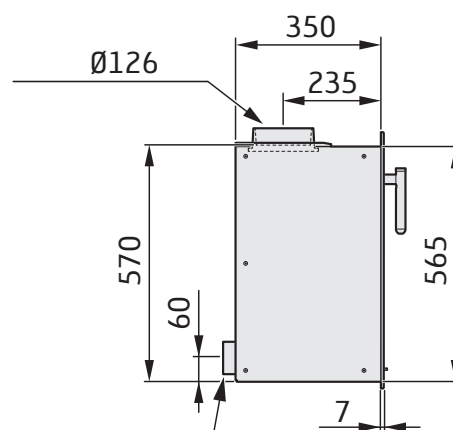
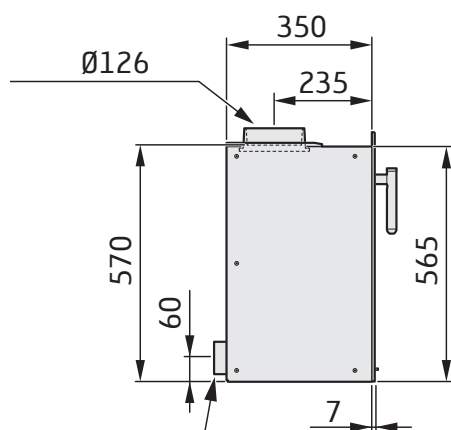
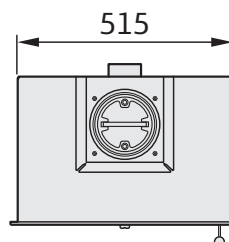
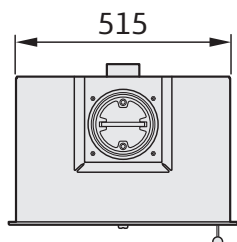
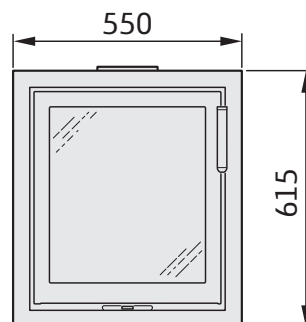
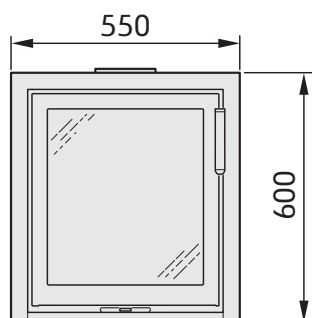
Furnishings and combustible building elements must be at least 1,4 metre from the front of the insert door.

When connecting to a steel chimney, the requirements for safe distance to the chimney must also be observed. A clearance of at least 300 mm must be allowed as a safe distance between an uninsulated flue pipe and combustible building elements.



3-sided frame

4-sided frame



Air inlet Ø80

Air inlet Ø80