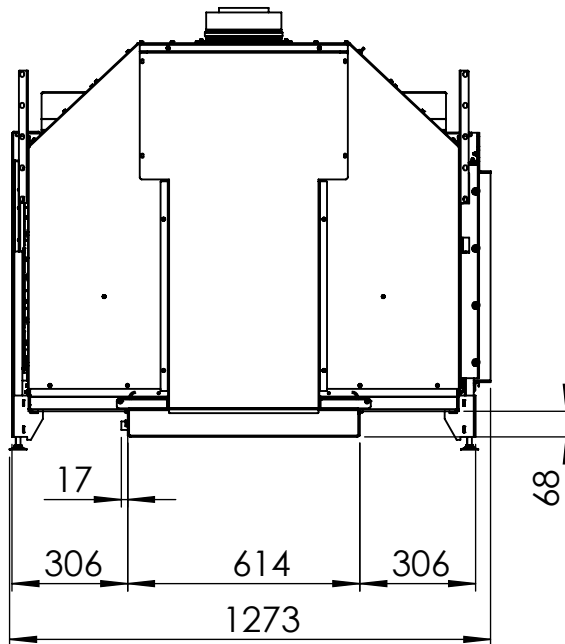
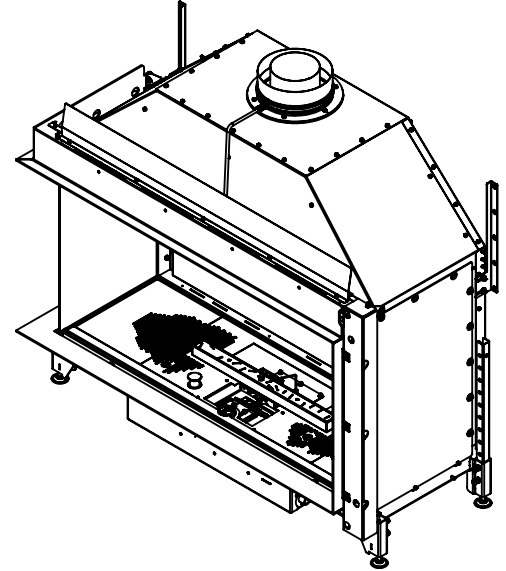
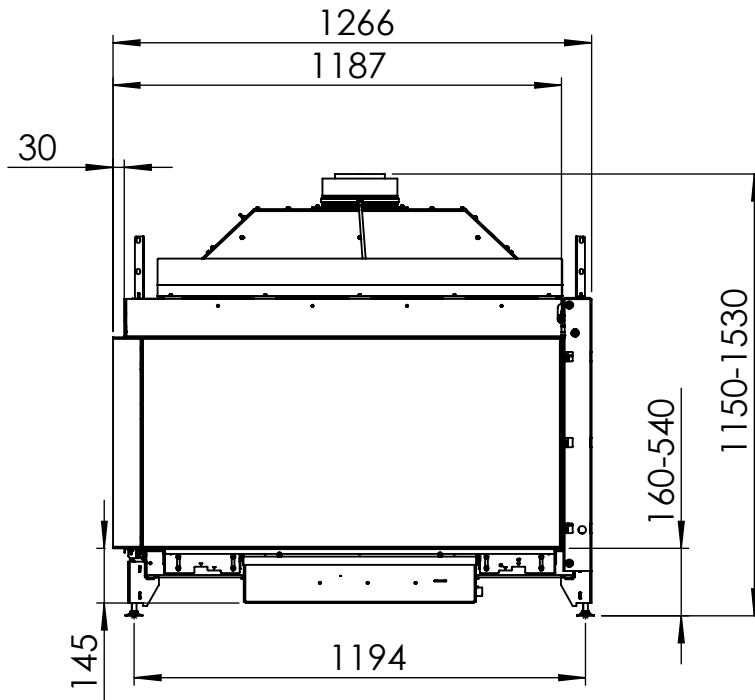
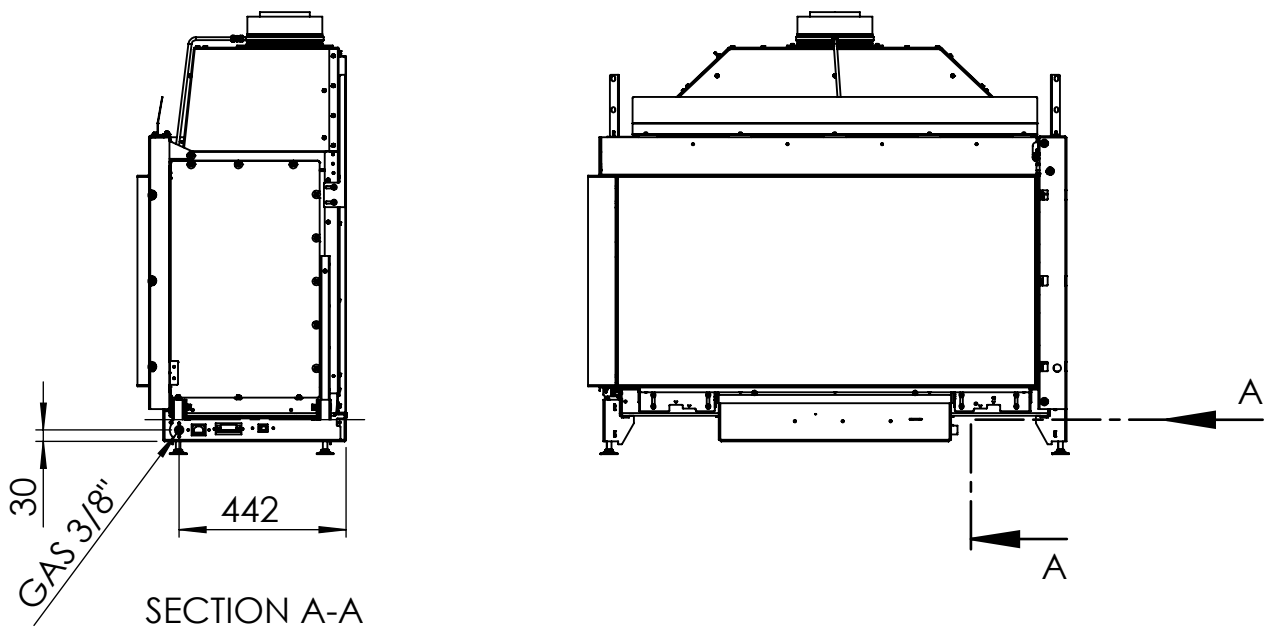
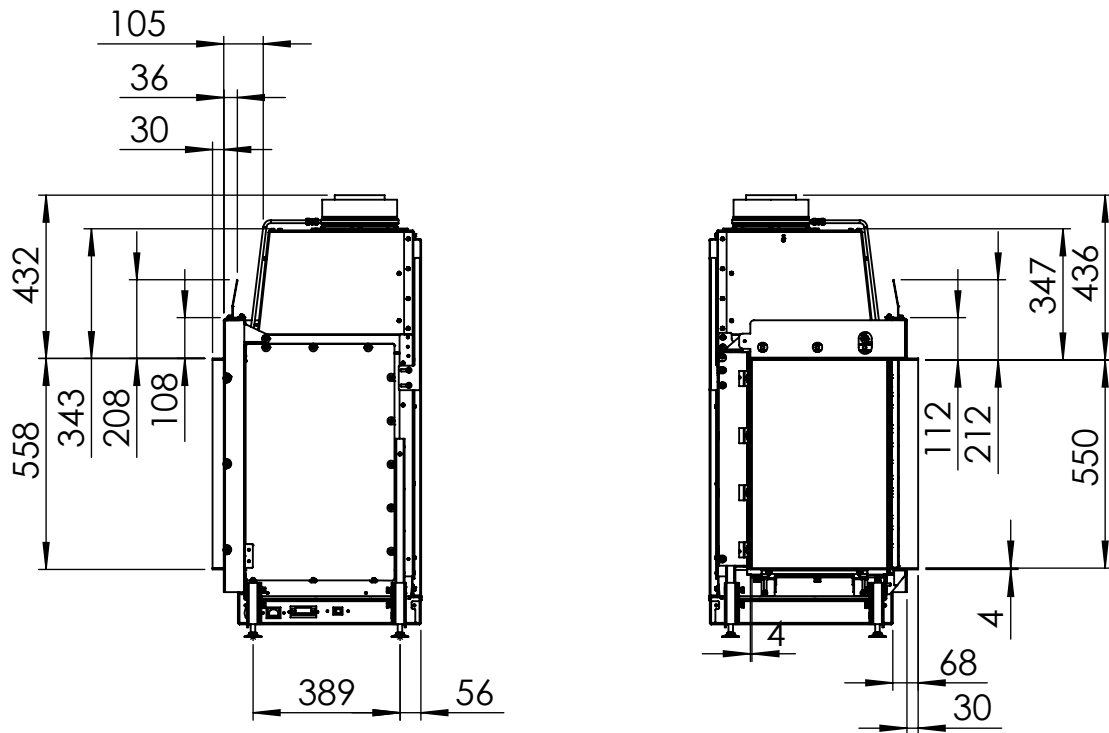
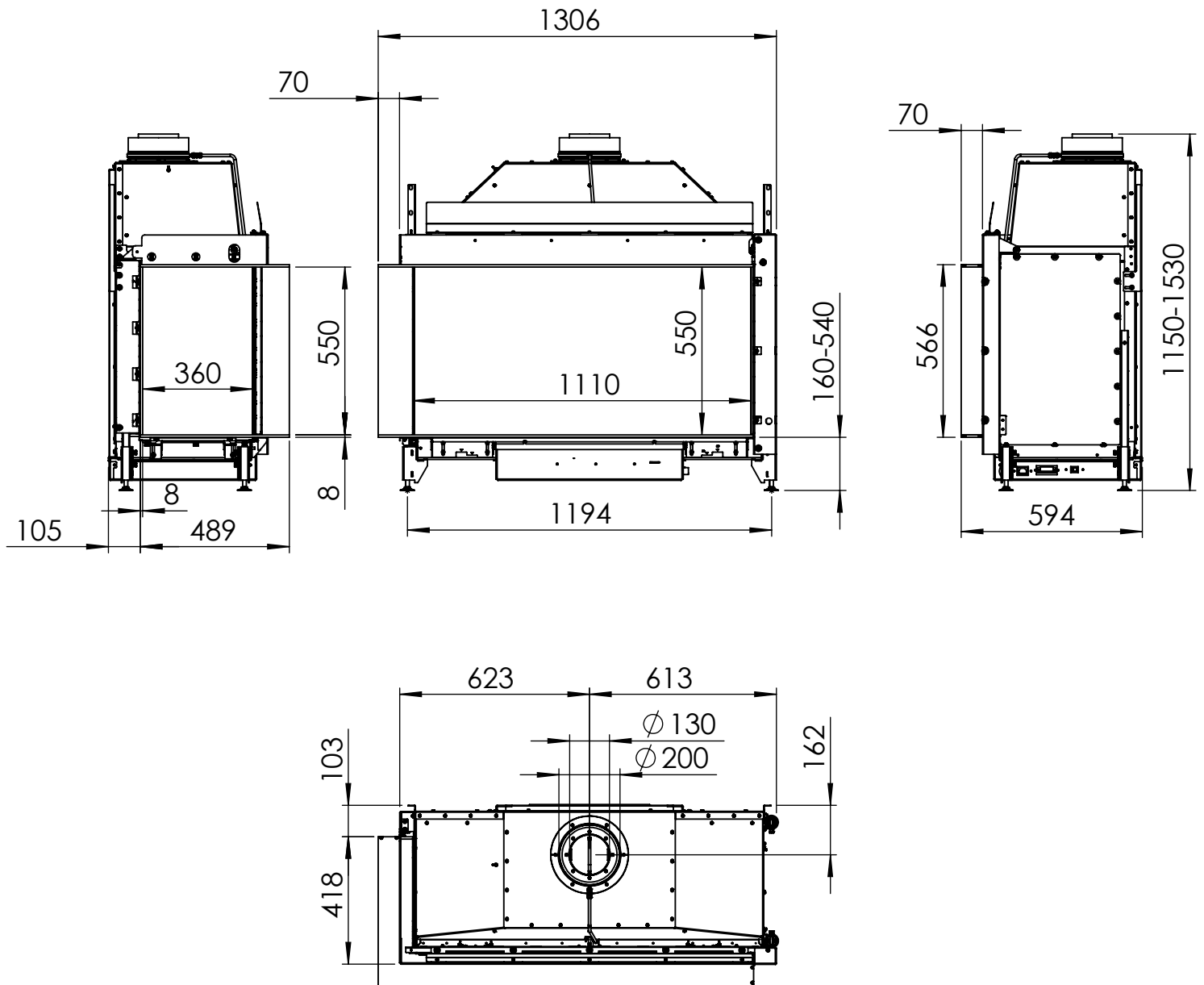
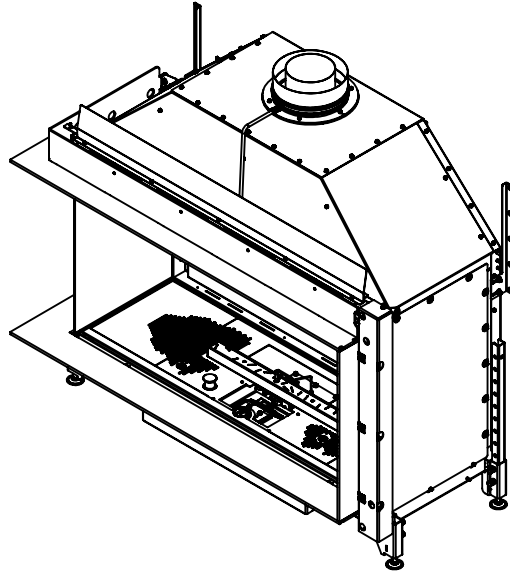


Kalfire	Gi110/75CL
A(mm)	35
B(mm)	105
C(mm)	375
D(mm)	1114
E(mm)	50



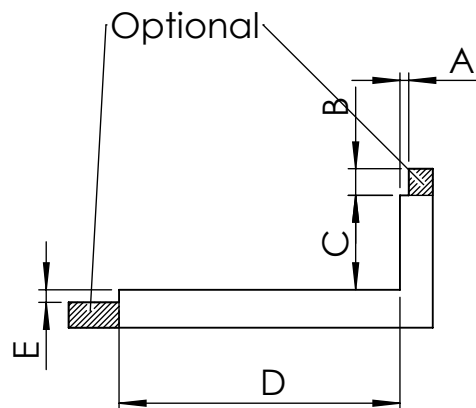
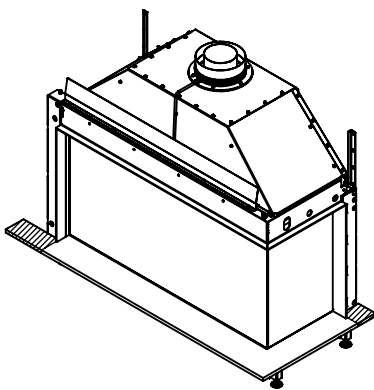
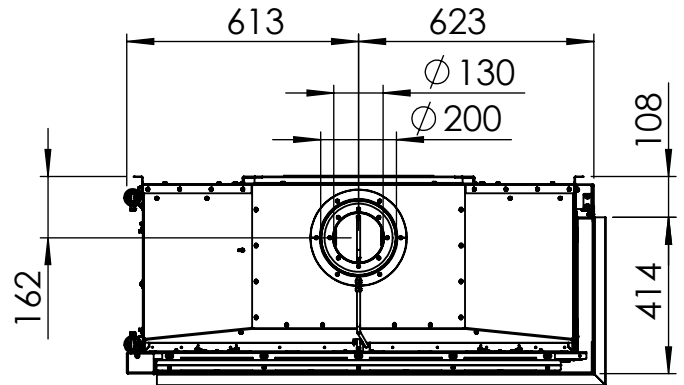
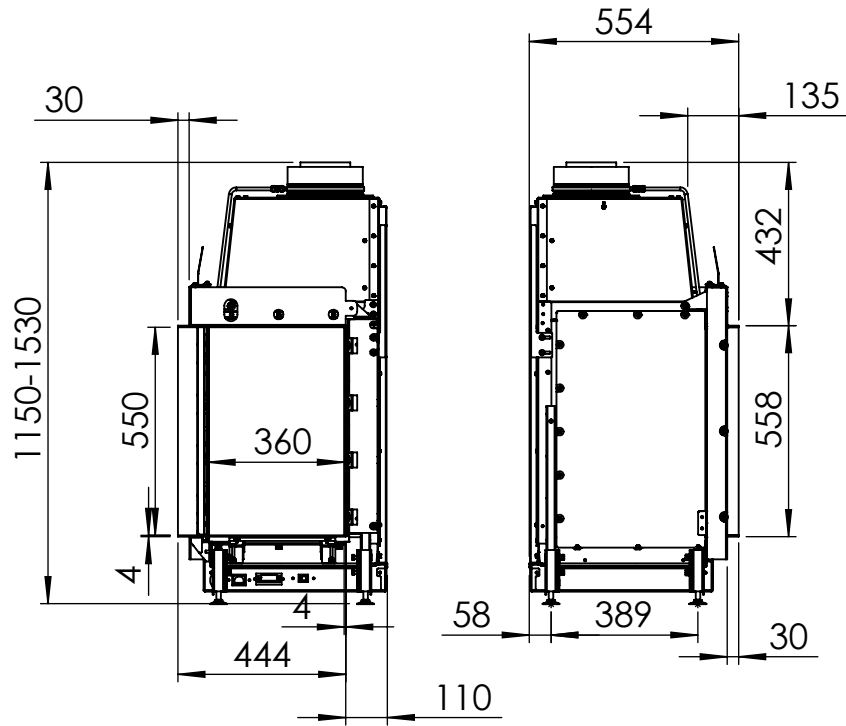
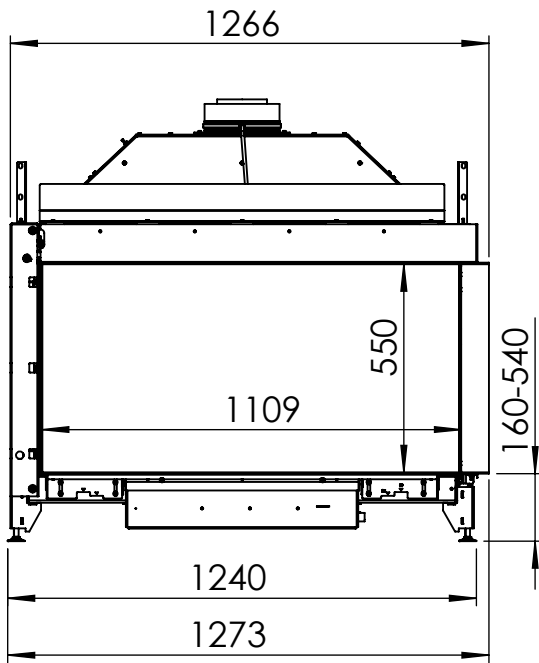




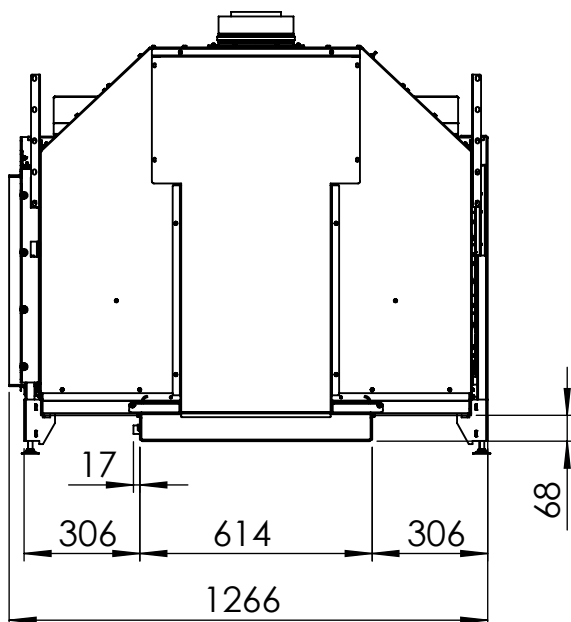
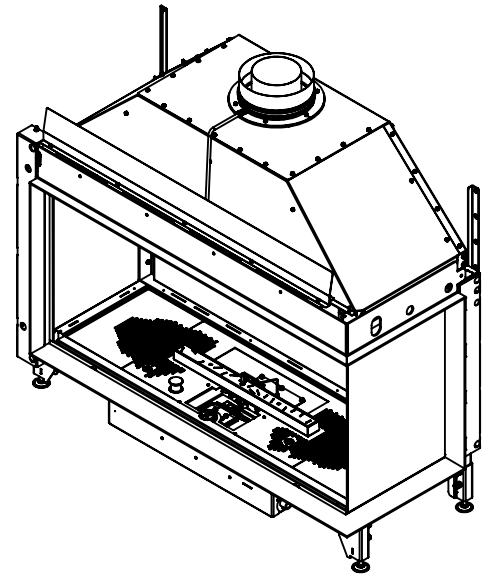
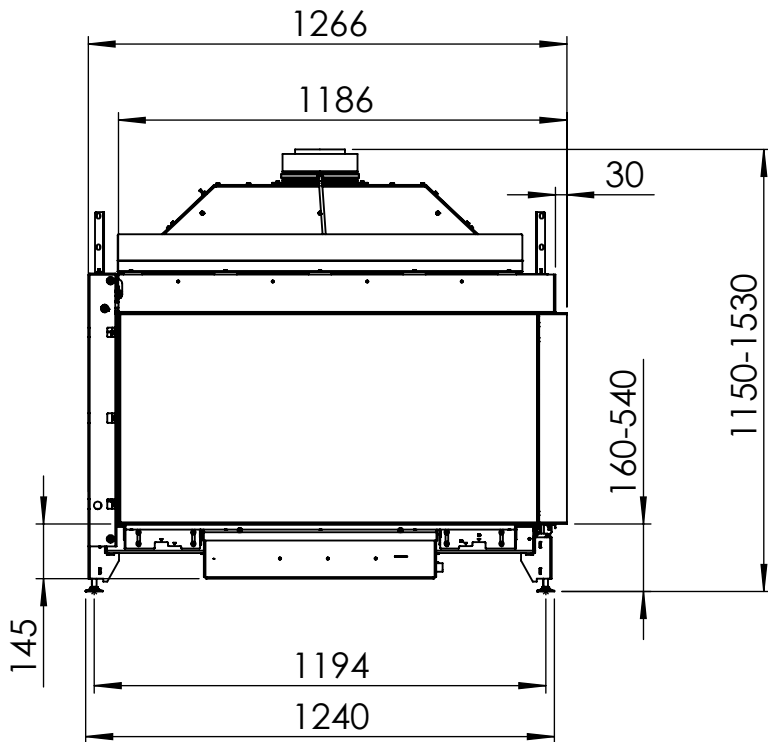
All dimensions in mm. Modifications under reserve.

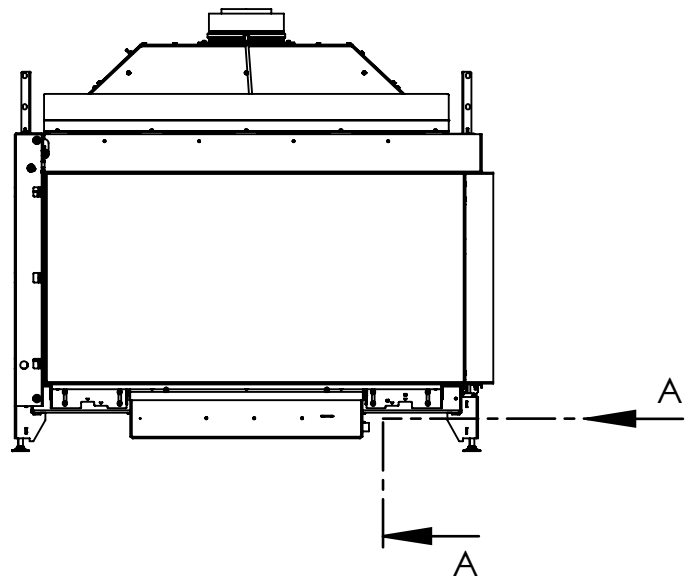
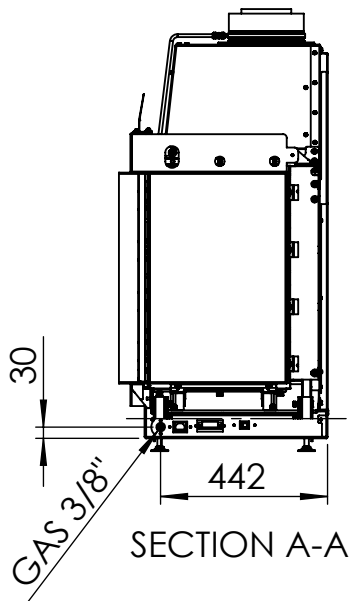
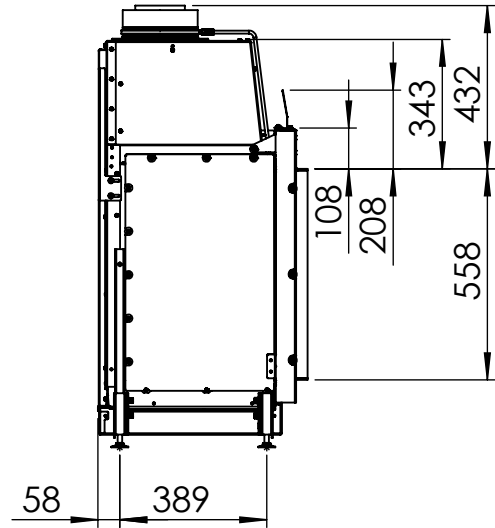
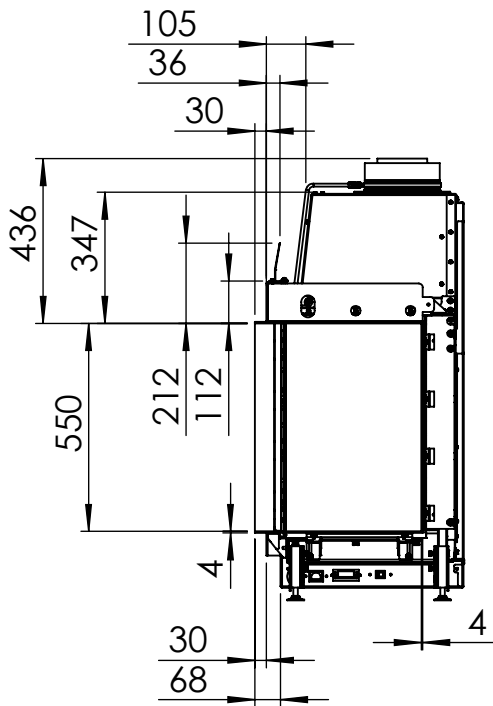
7-7-2023 sheet 4 / 4

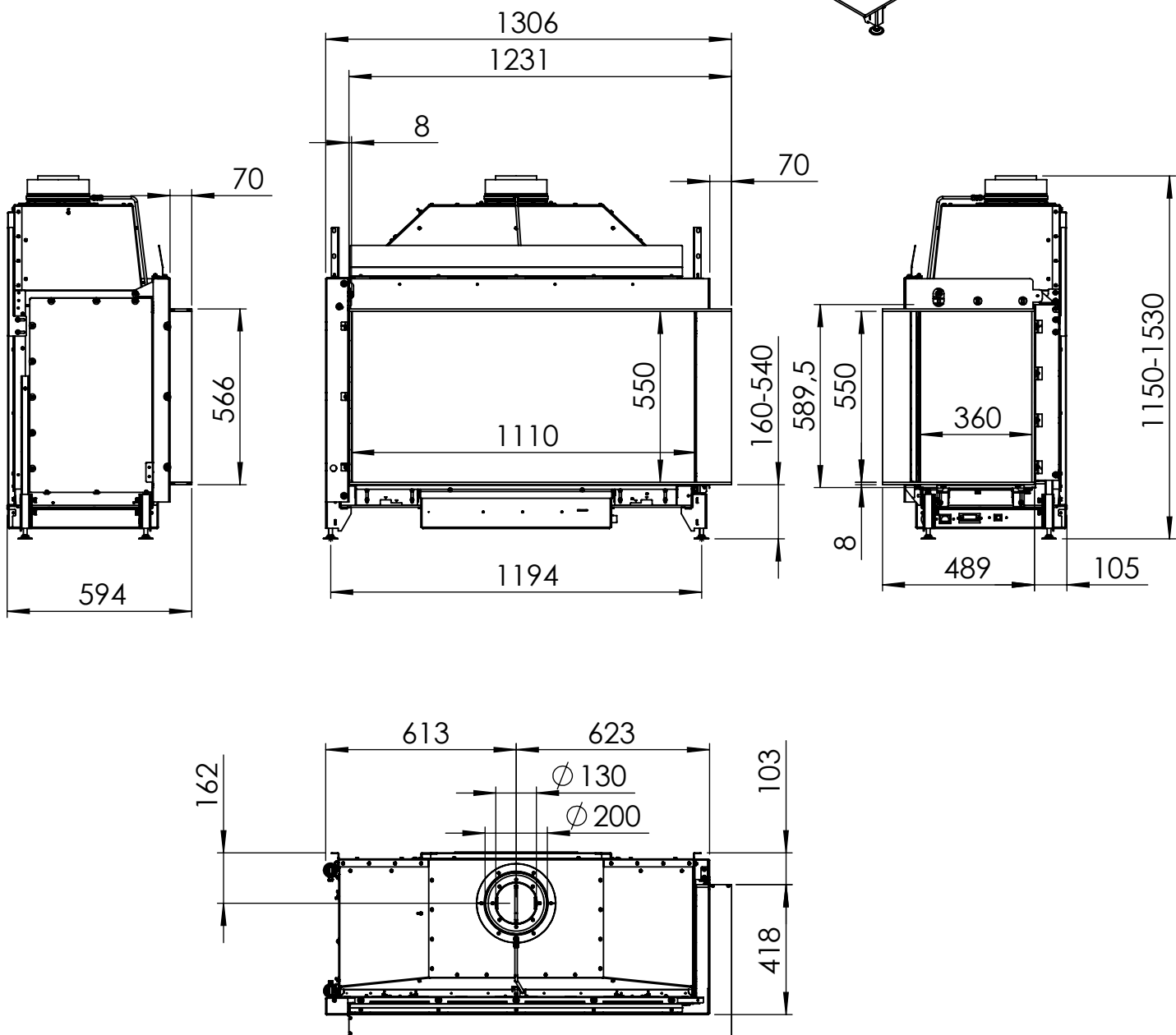
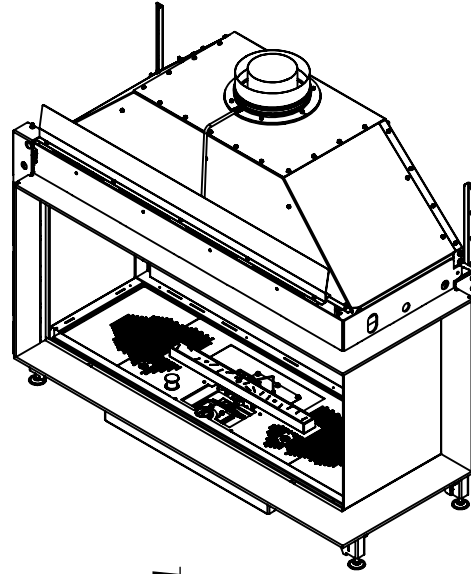
© All rights reserved. This drawing is sole property of Kal-fire. No part of this drawing may be reproduced, or published, in any form or in any way without prior written permission from Kal-fire.



Kalfire	Gi110/75CR
A(mm)	35
B(mm)	105
C(mm)	375
D(mm)	1114
E(mm)	50







All dimensions in mm. Modifications under reserve.

6-7-2023 sheet 4 / 4

© All rights reserved. This drawing is sole property of Kal-fire. No part of this drawing may be reproduced, or published, in any form or in any way without prior written permission from Kal-fire.