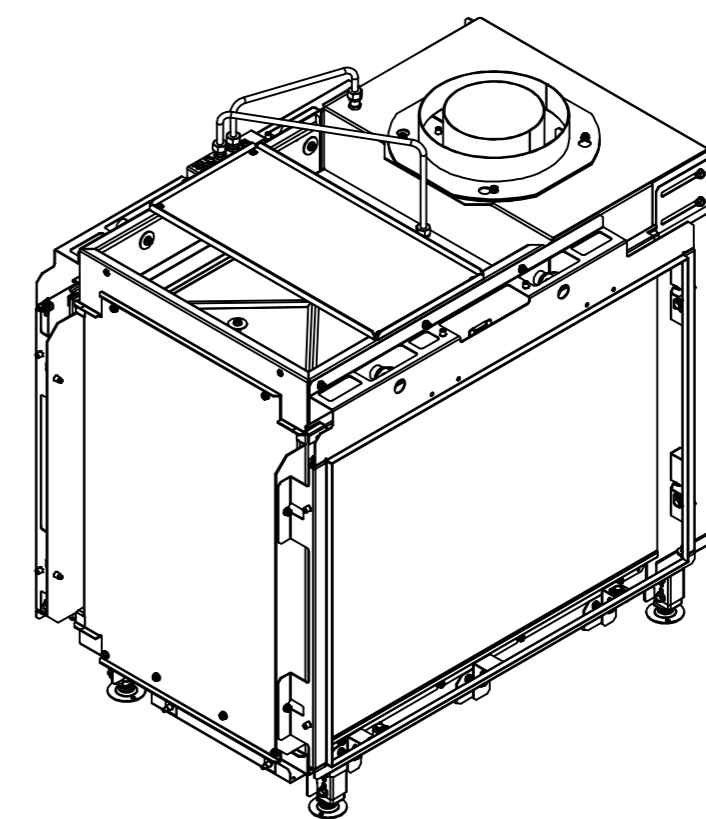
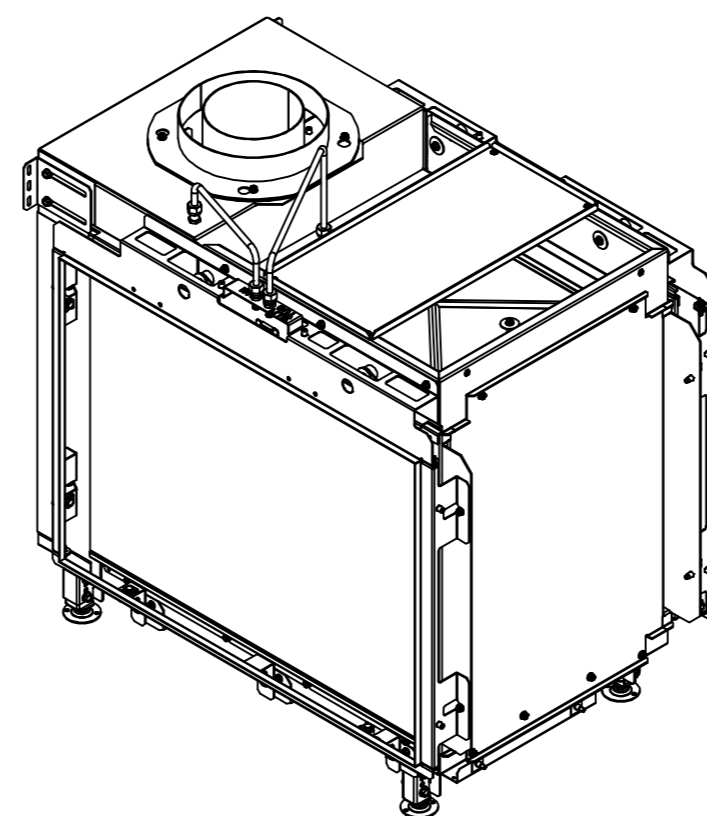
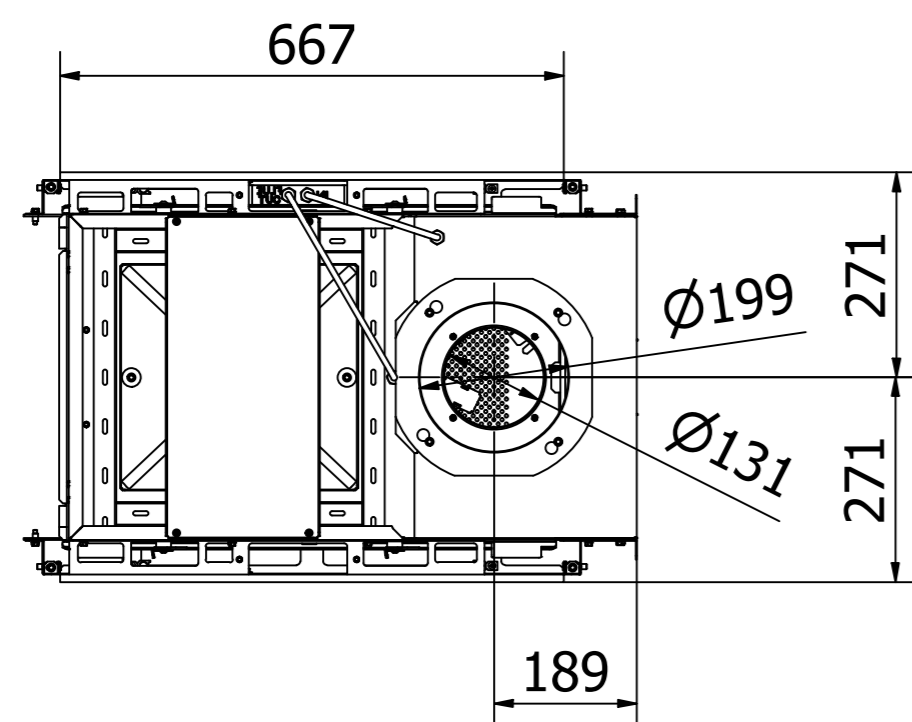
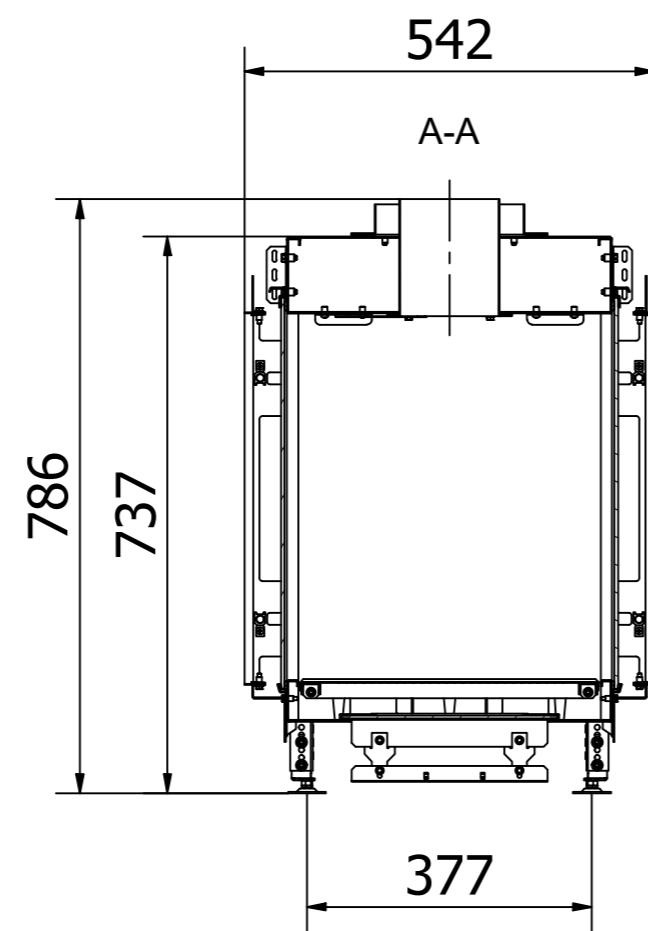
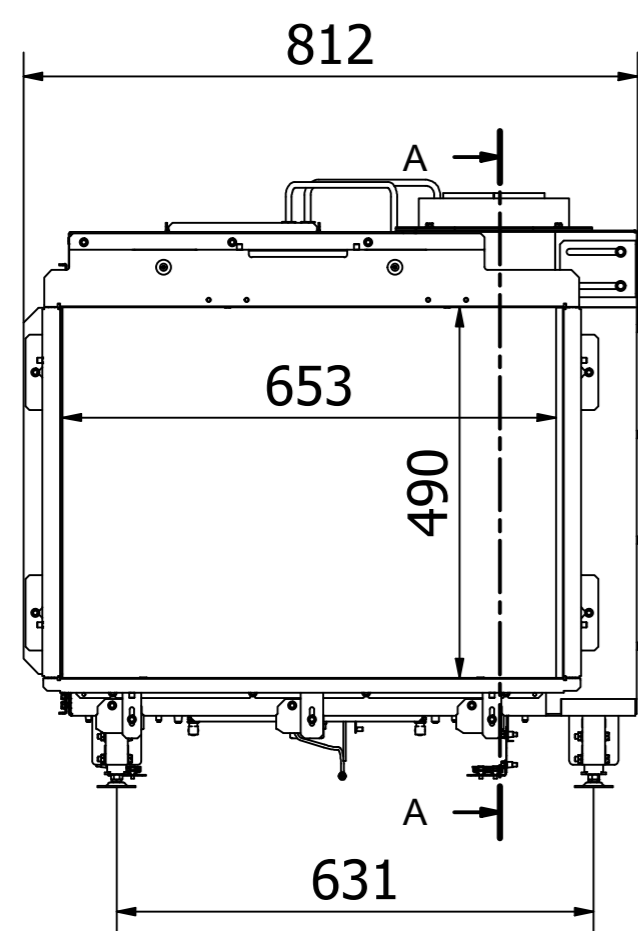


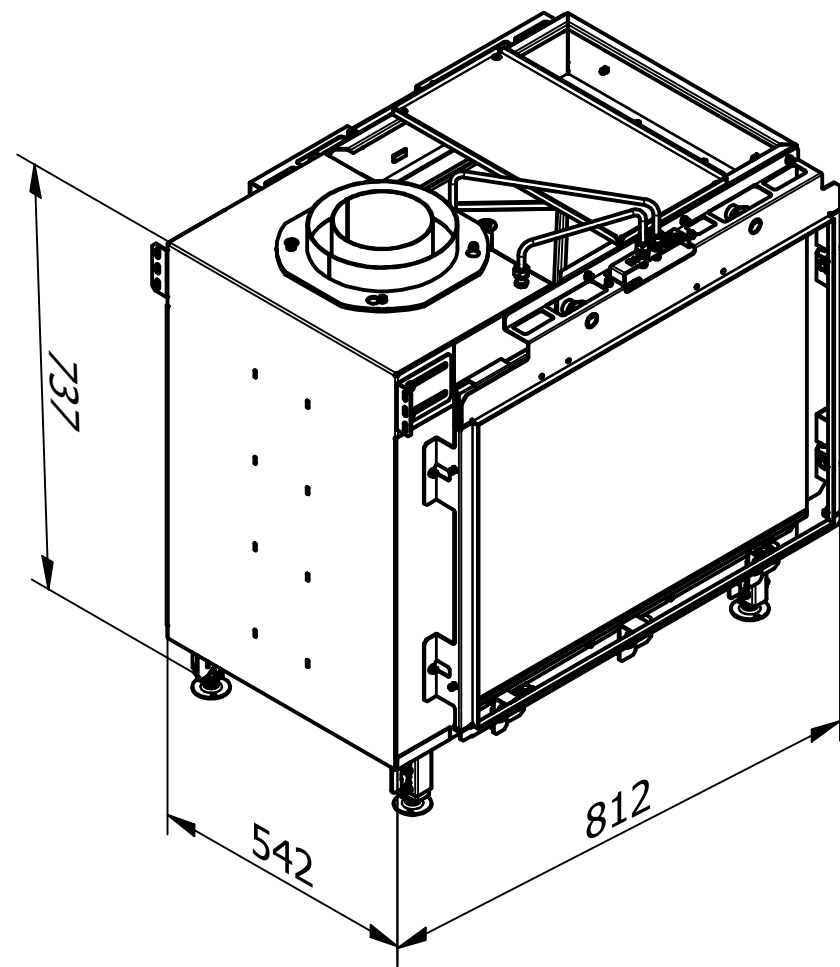
RAIS Visio Gas 43-49-65 T-6541

Visio6_Tunnel_041022

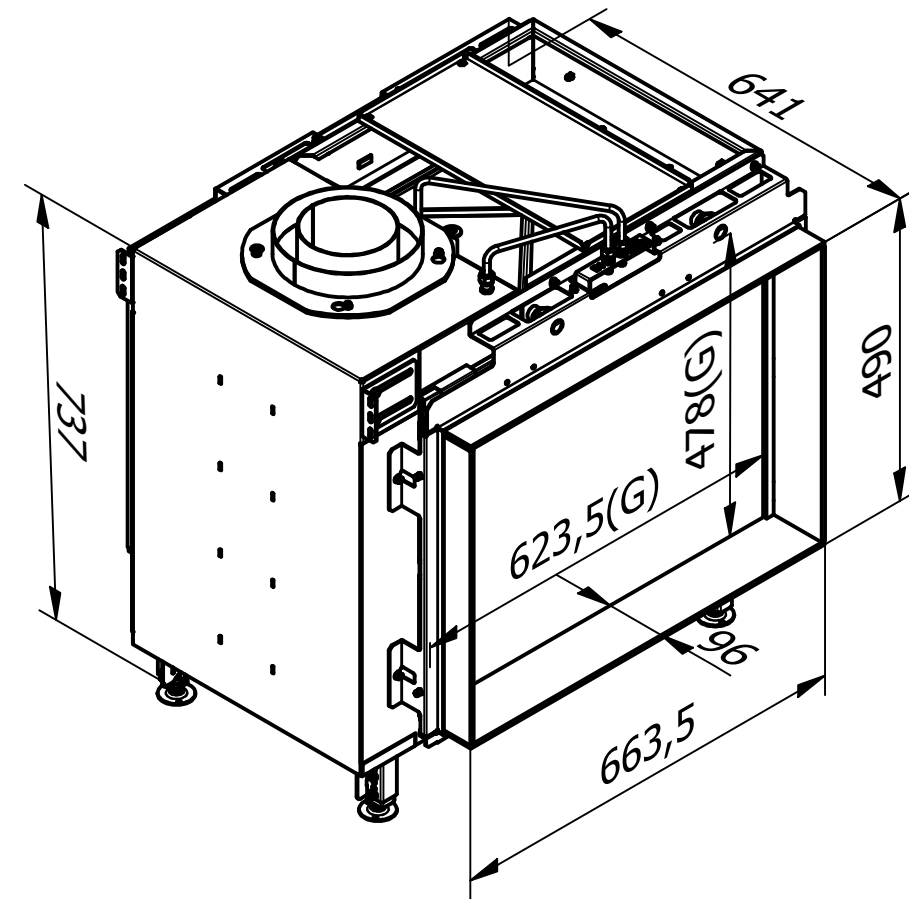


RAIS Visio Gas 43-49-65 T-6543

Visio6_Tunnel_041022

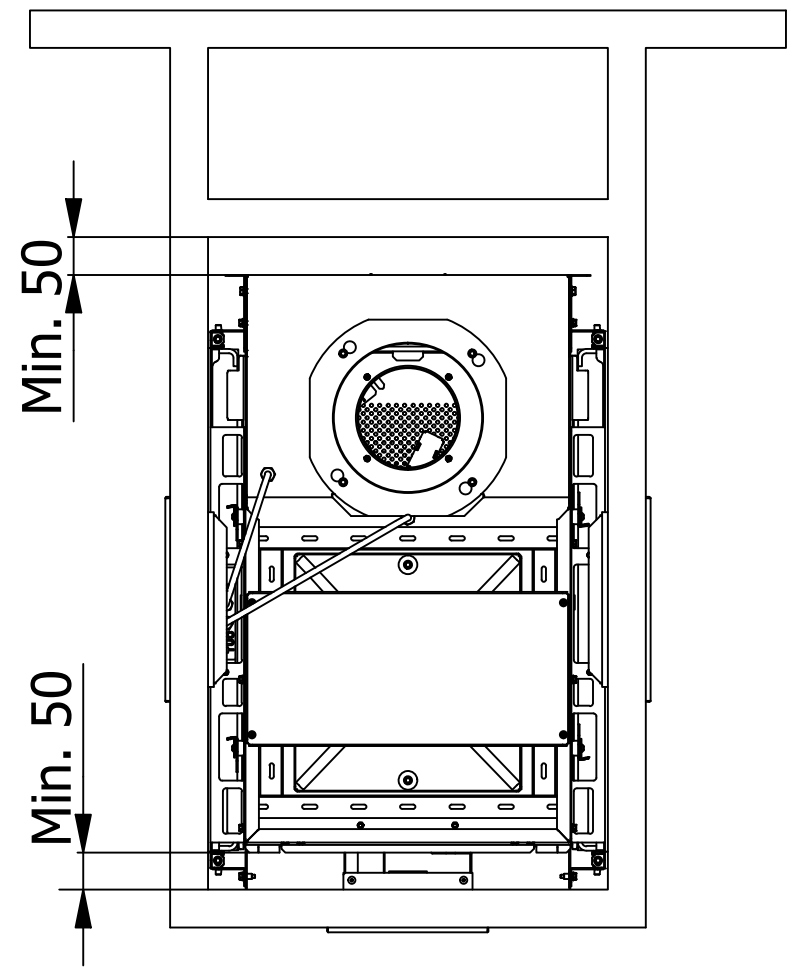
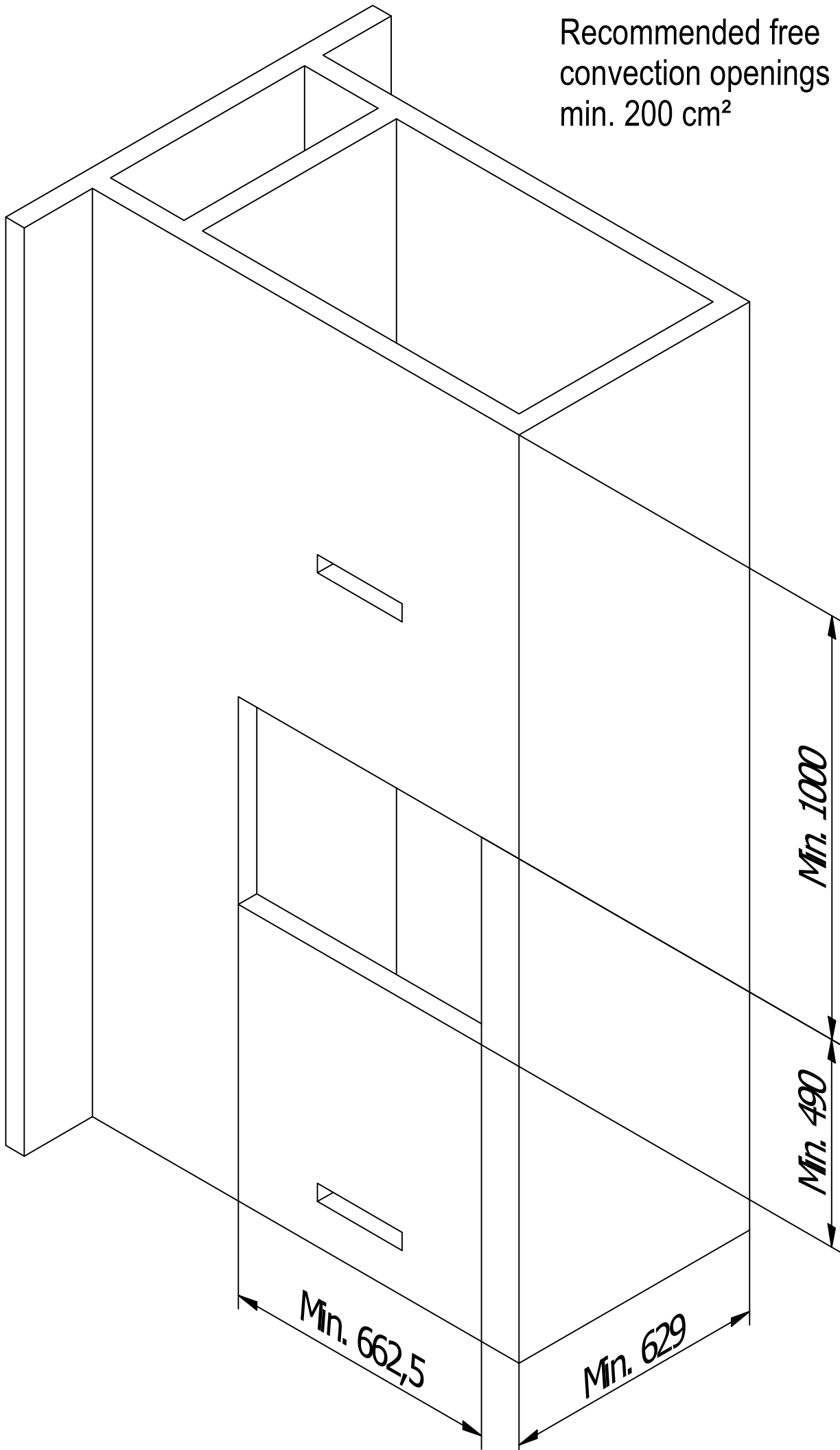


Without frame

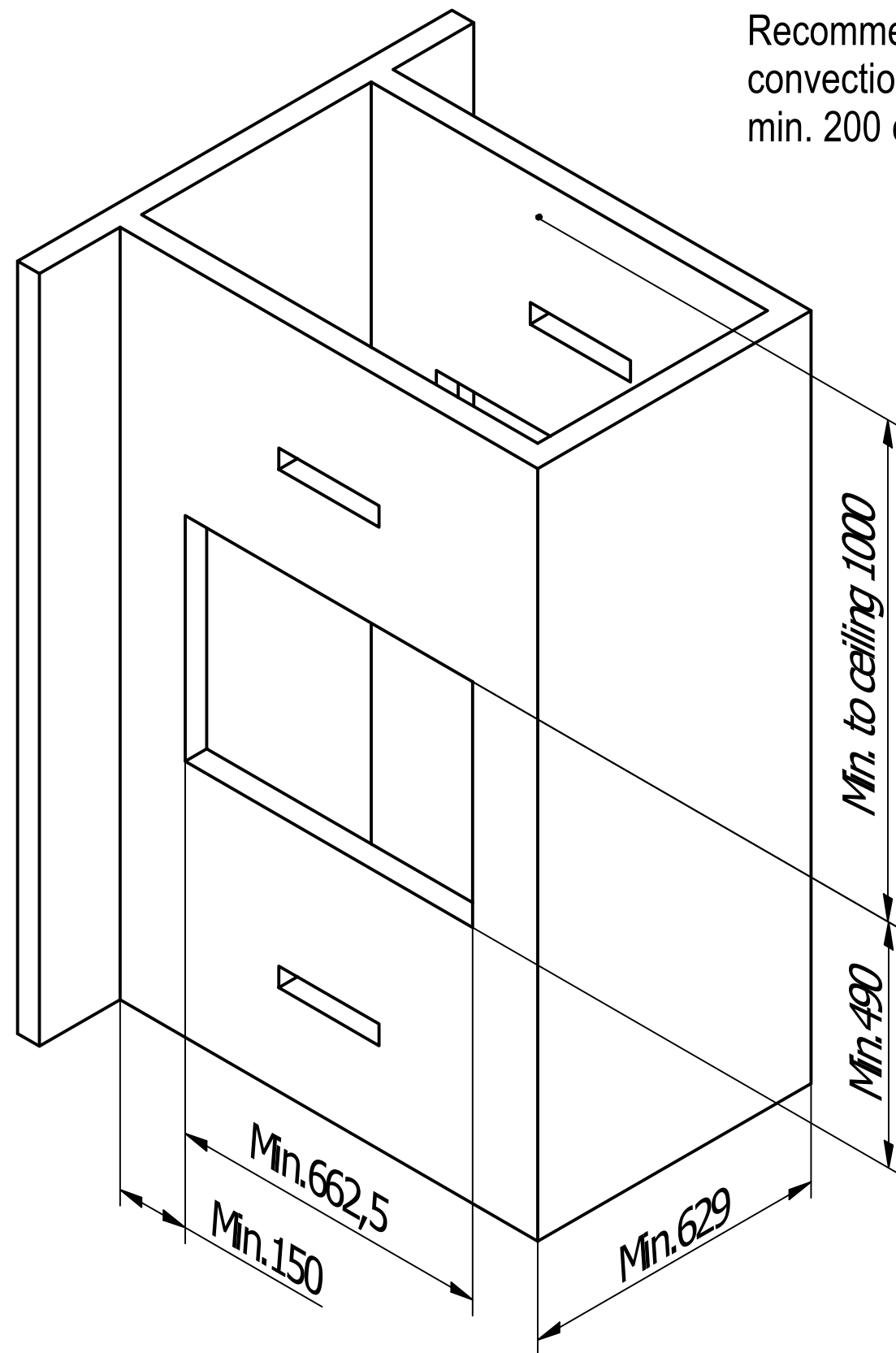


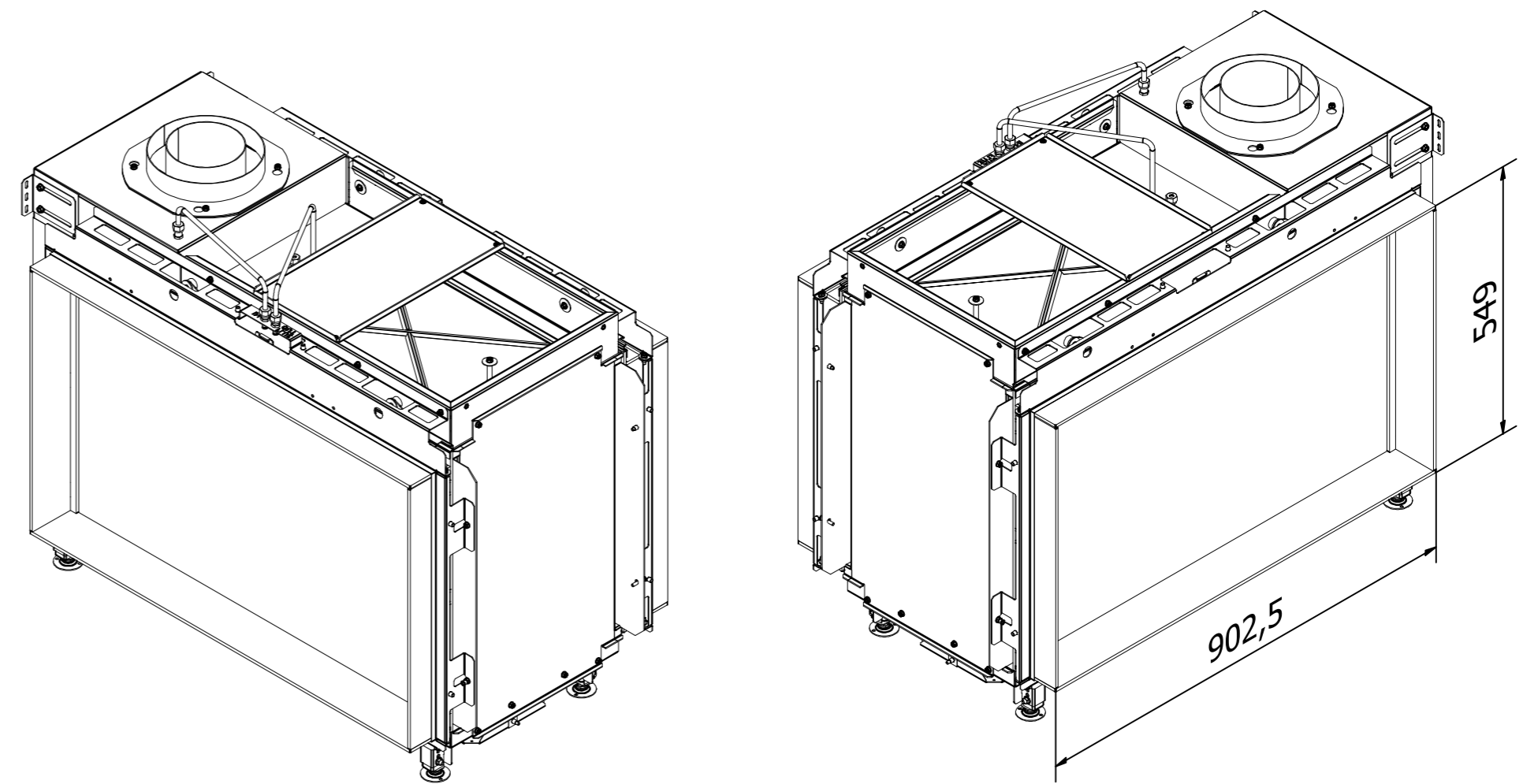
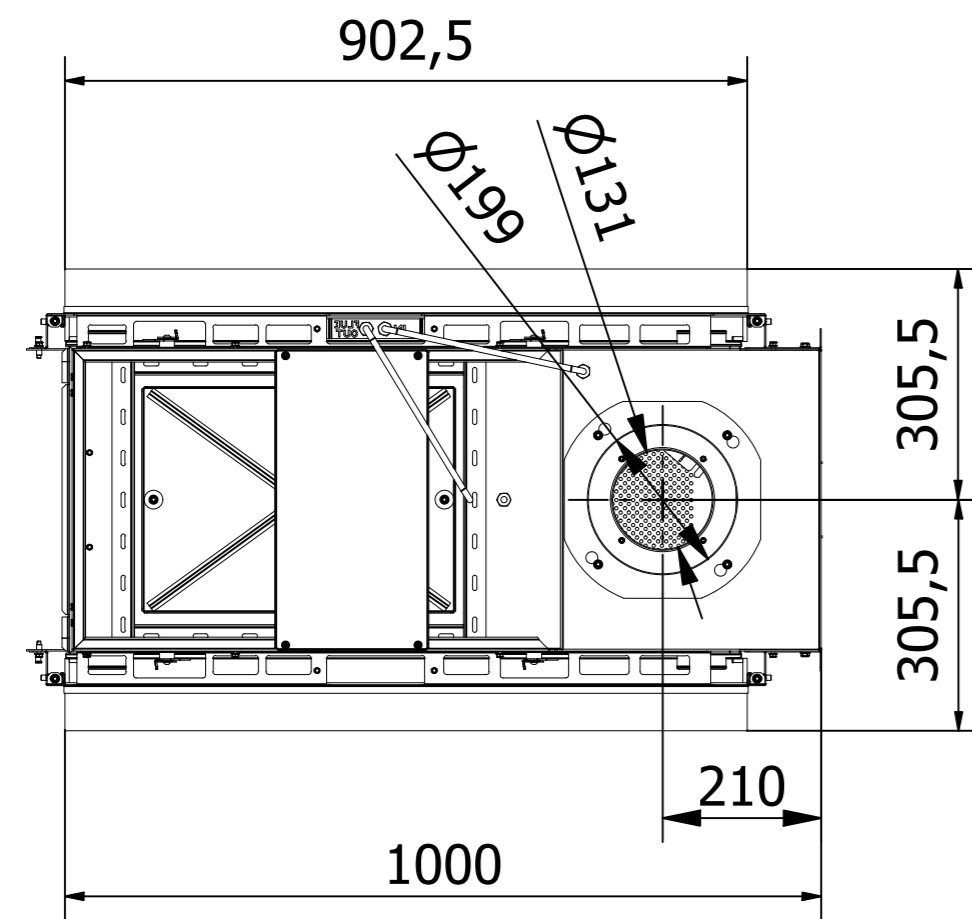
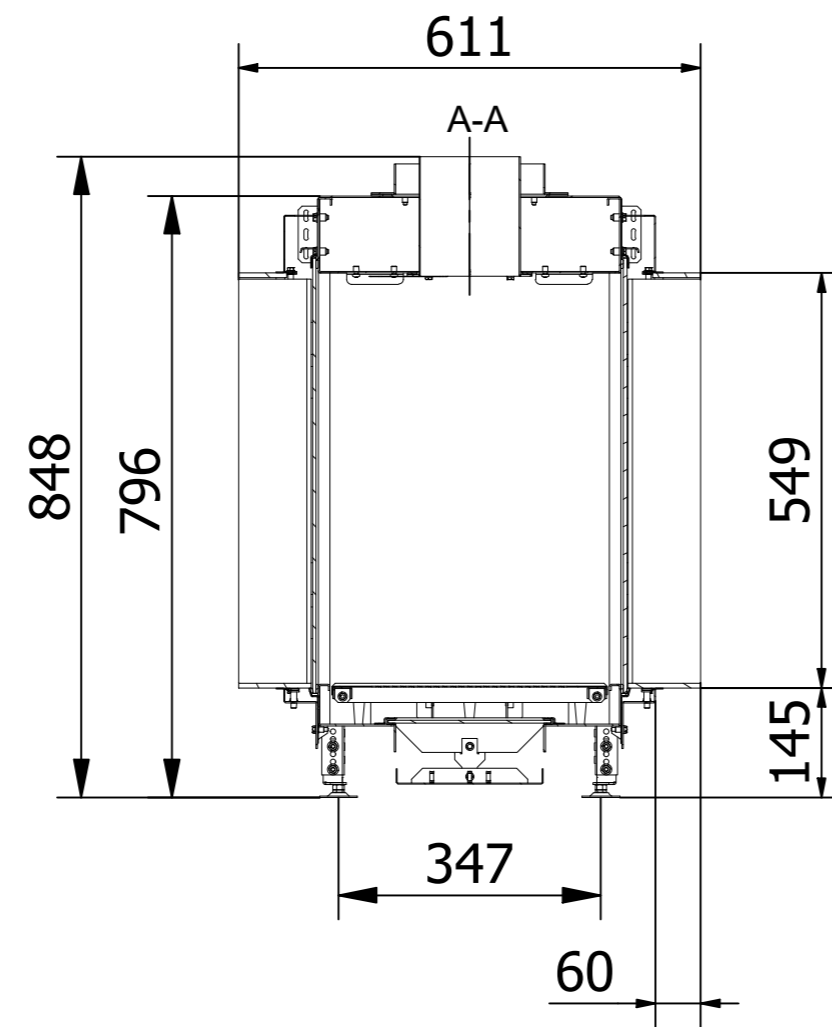
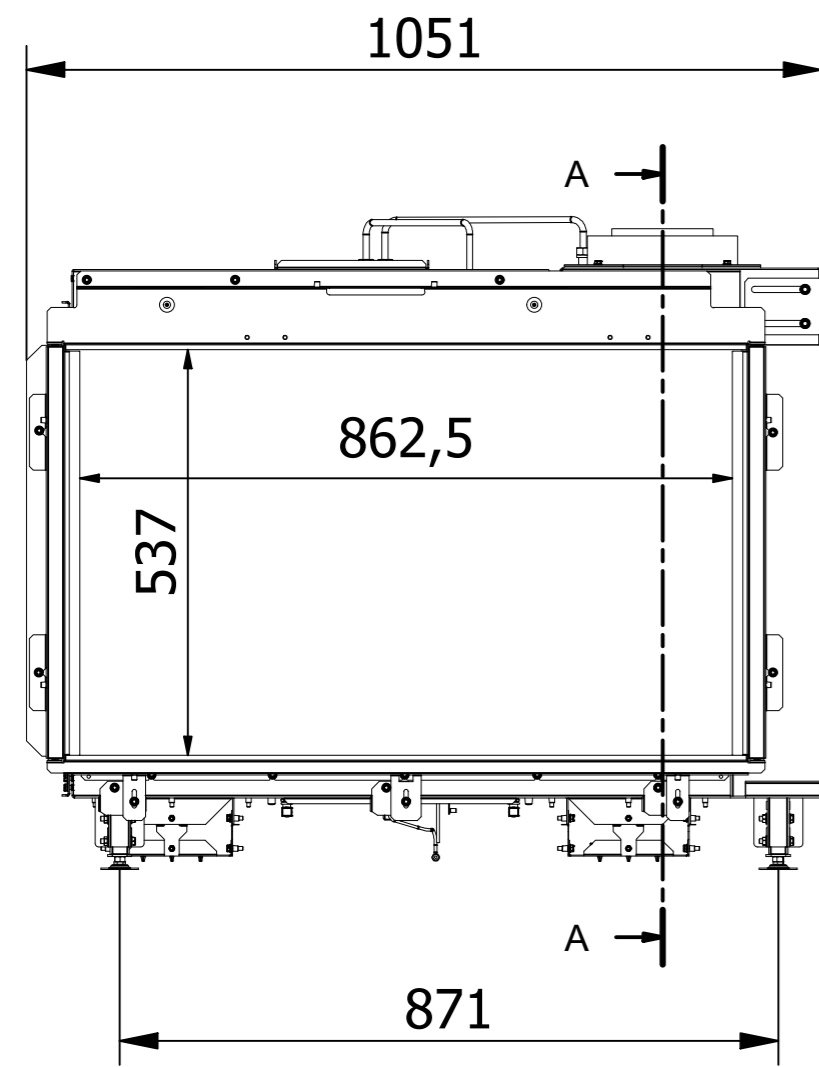
With frame

Recommended free
convection openings
min. 200 cm²



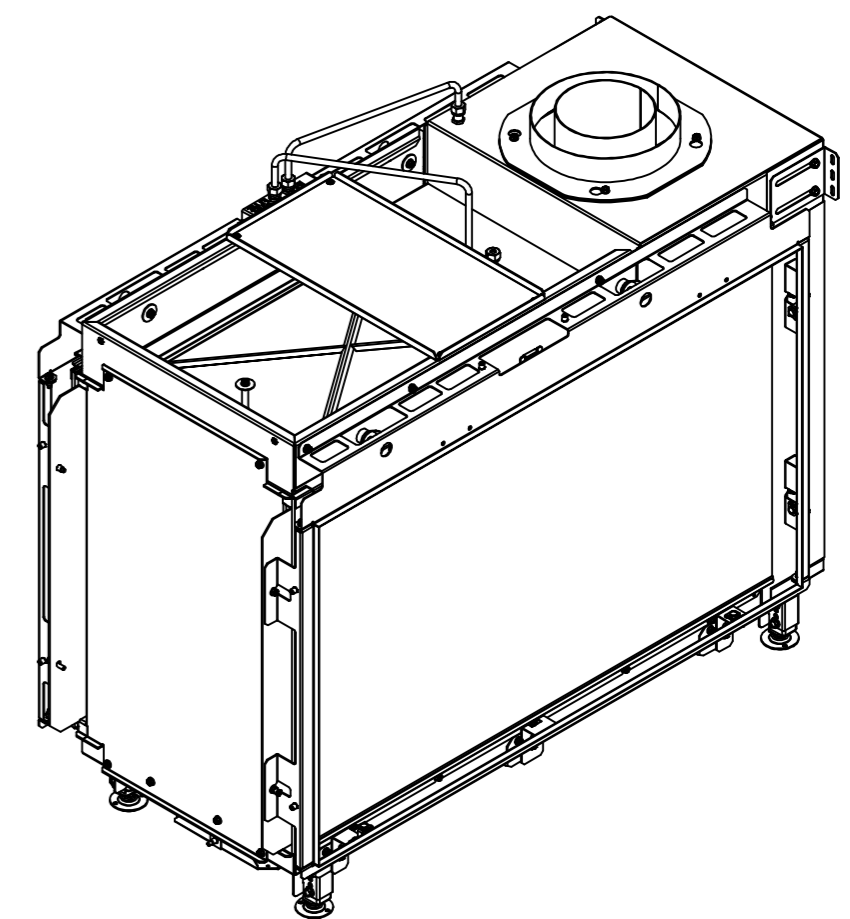
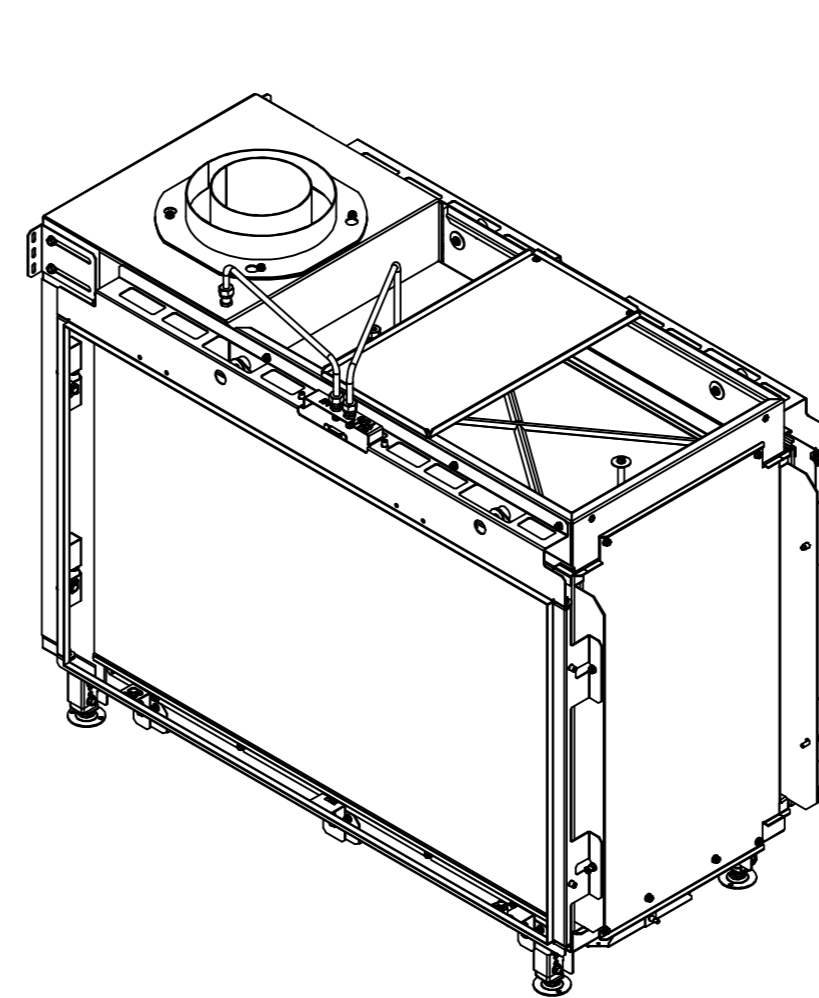
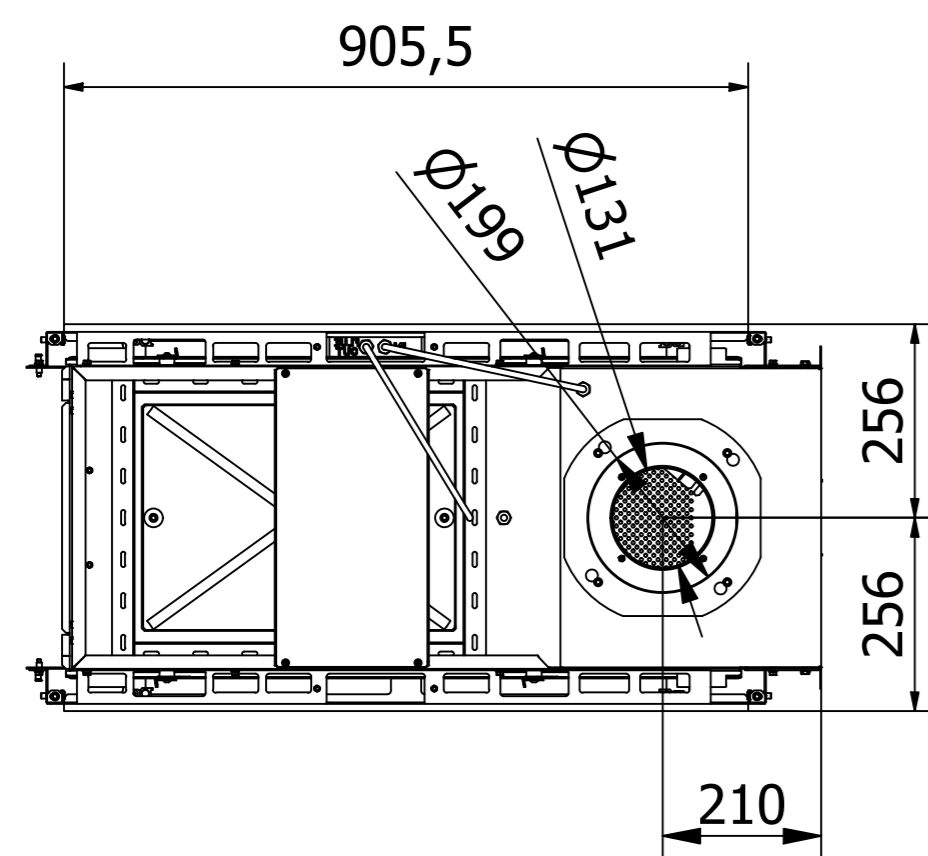
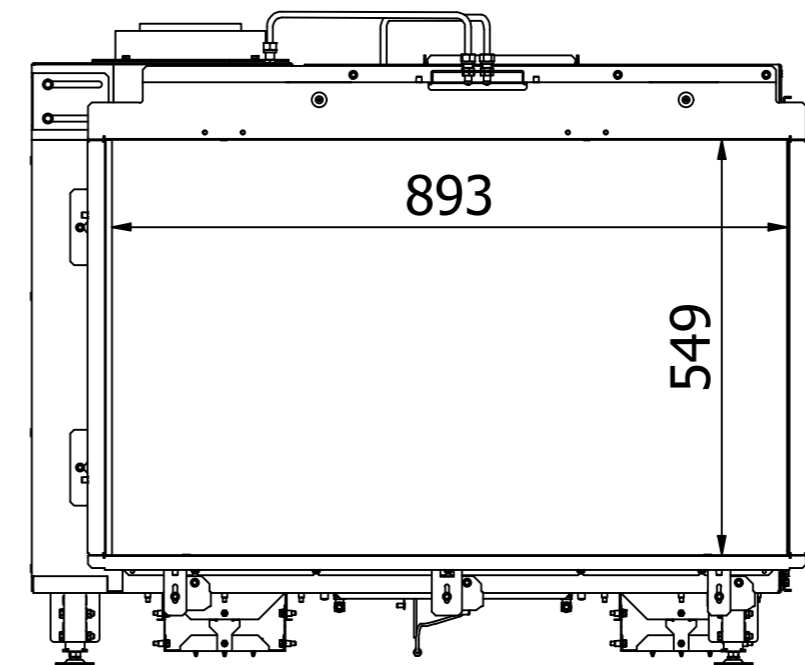
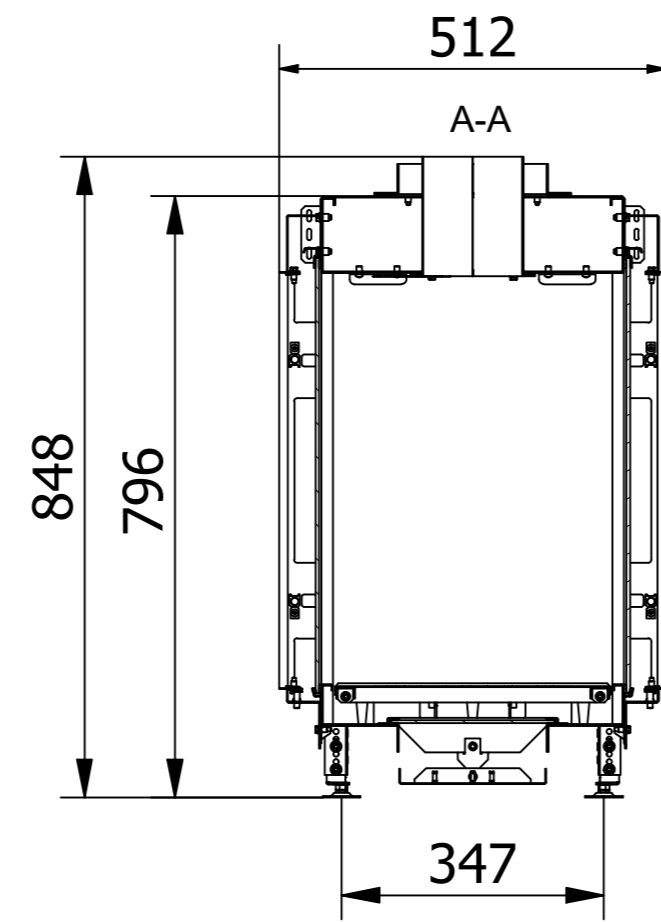
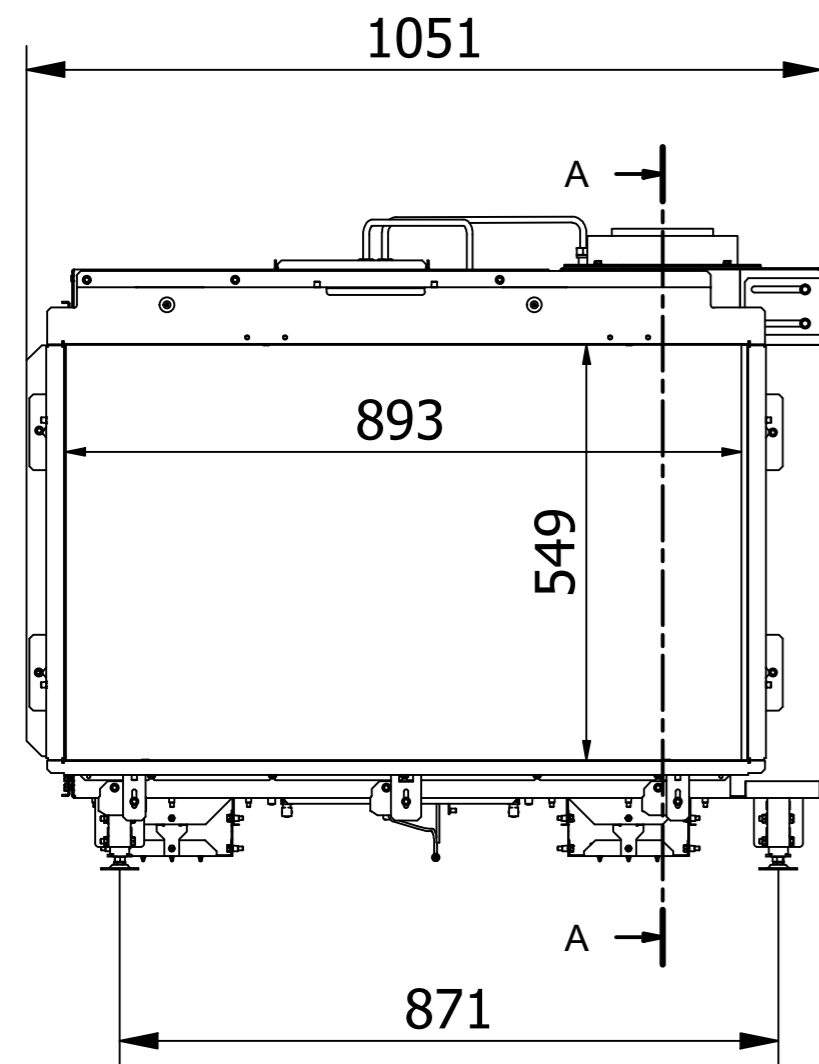
RAIS Visio Gas 43-49-65 T-654201





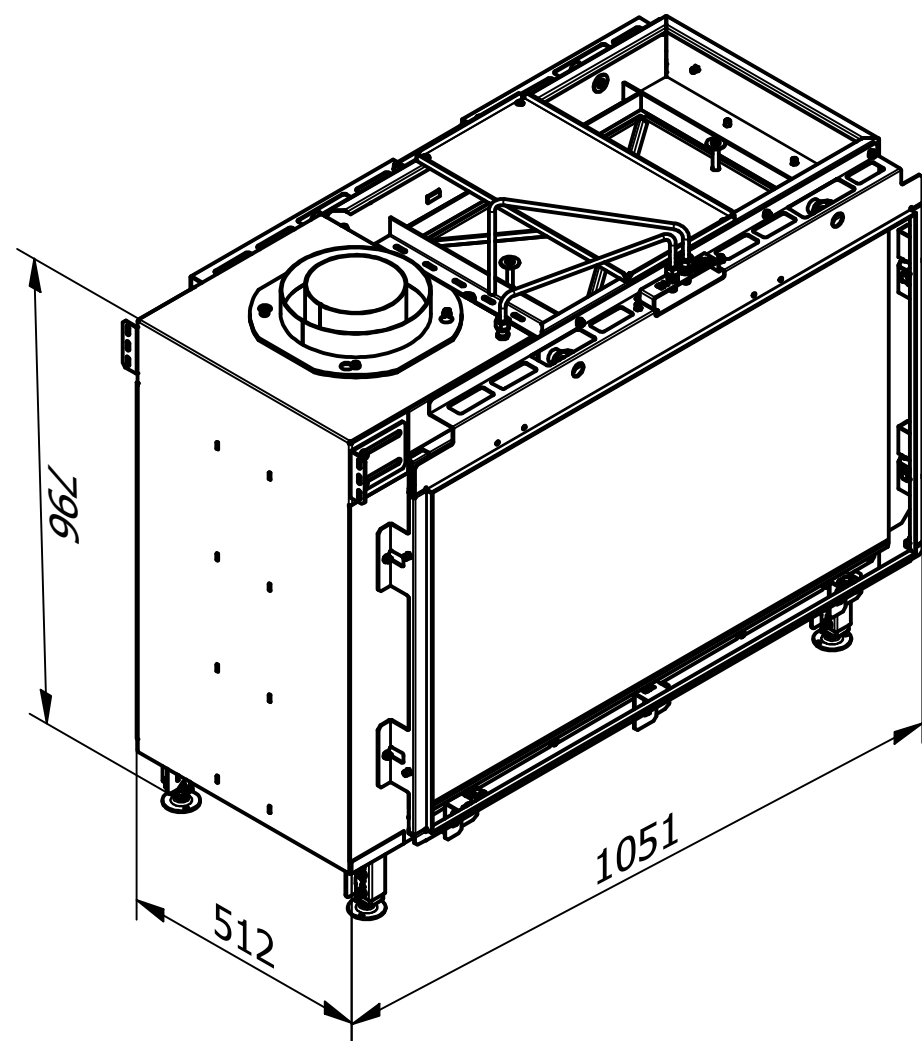
RAIS Visio Gas 40-55-90 T-6541

Visio7_Tunnel_061022

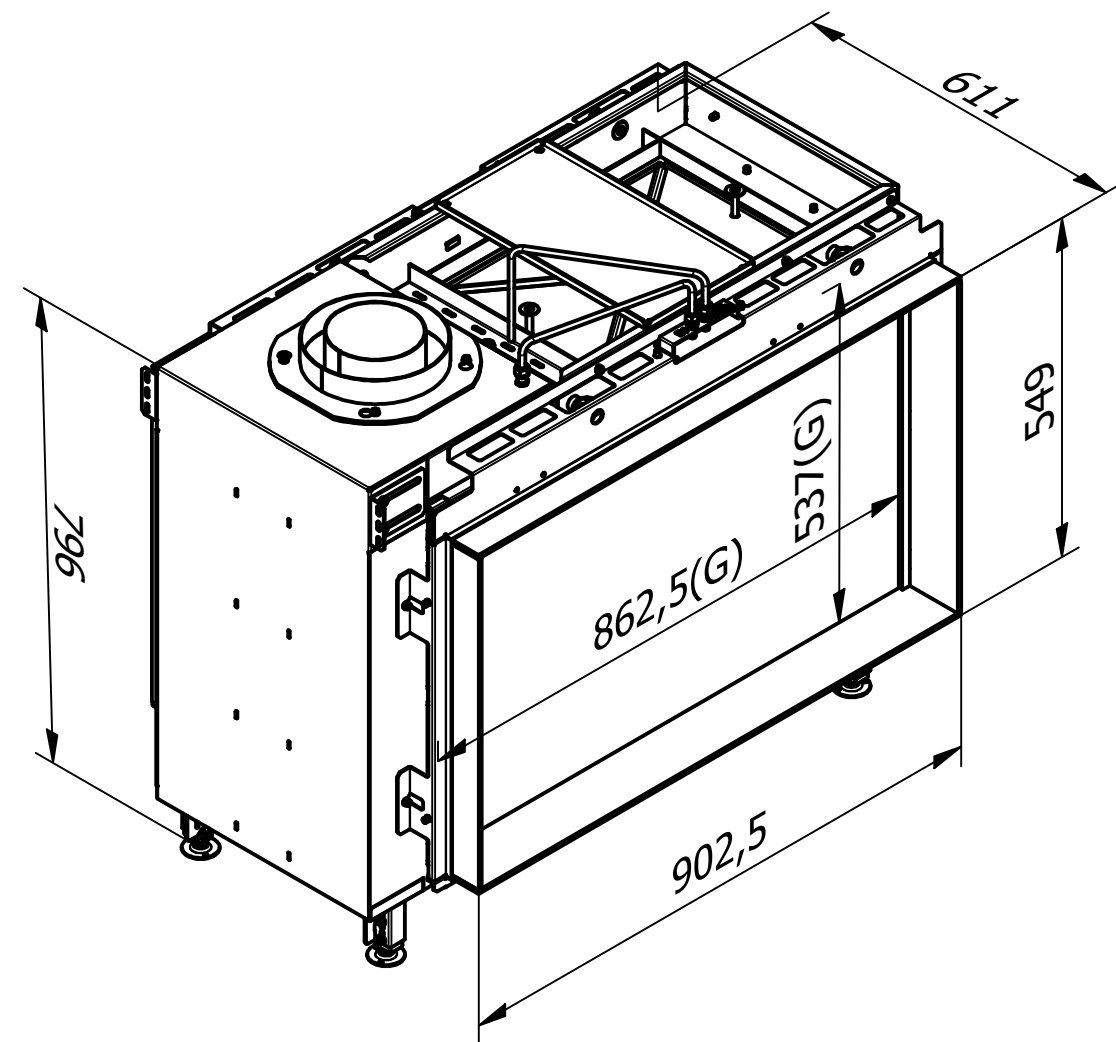


RAIS Visio Gas 40-55-90 T-6543

Visio7_Tunnel_061022

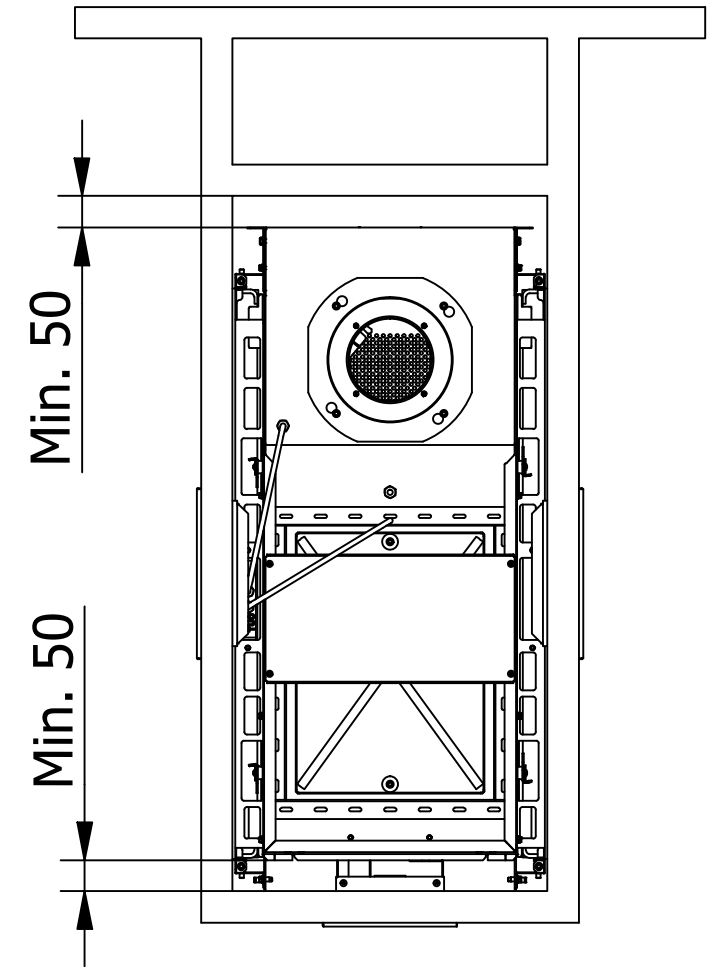
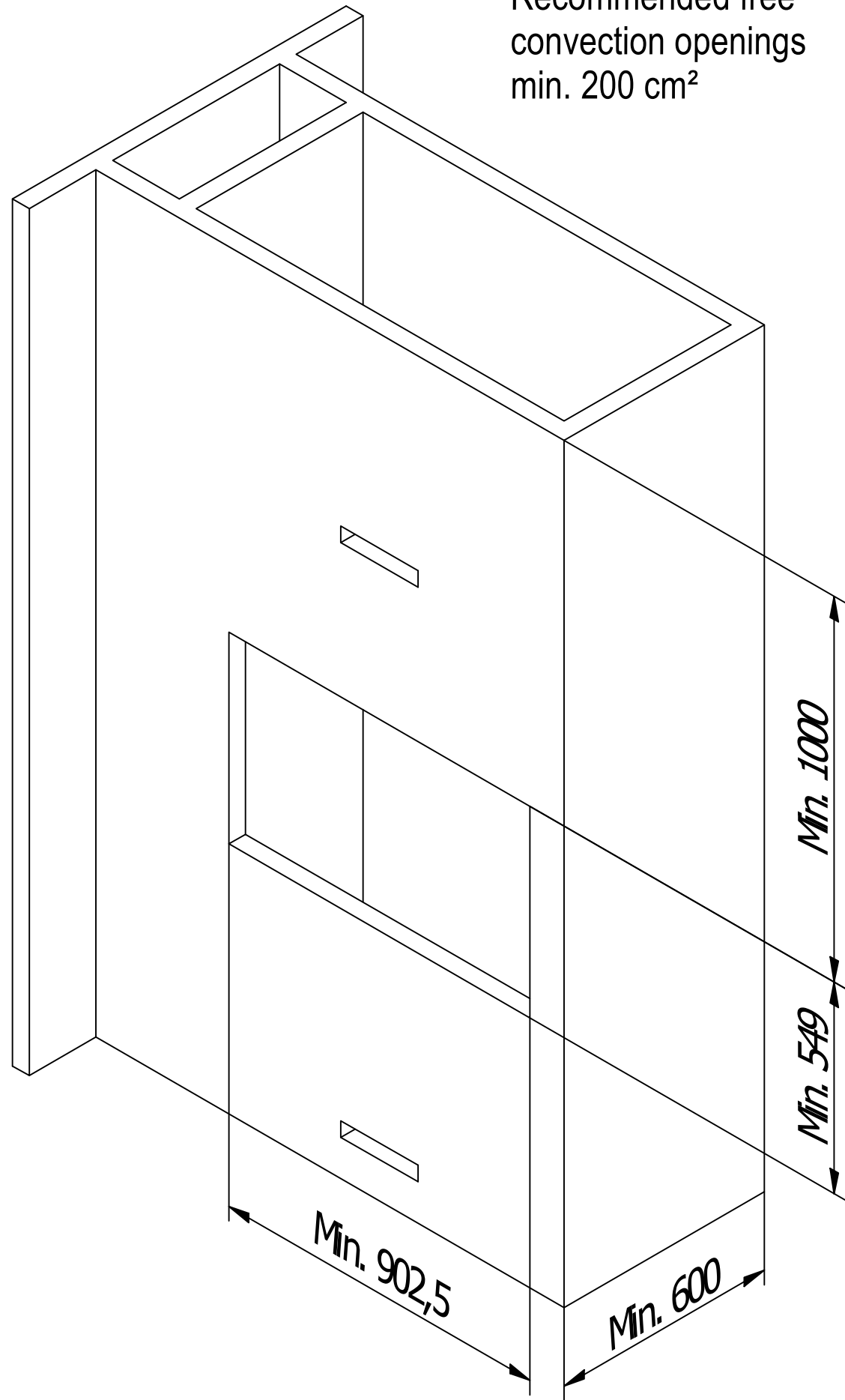


Without frame



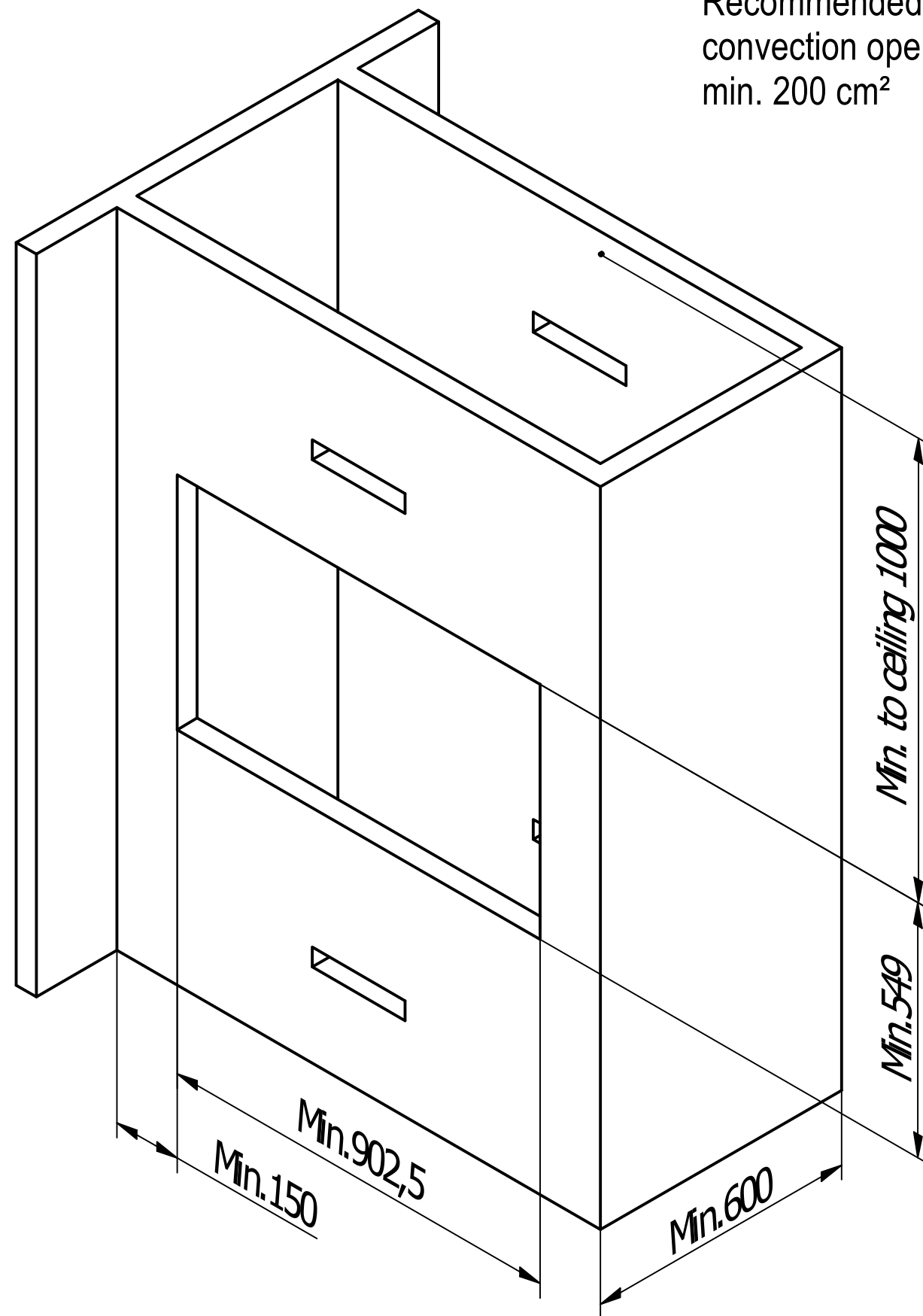
With frame

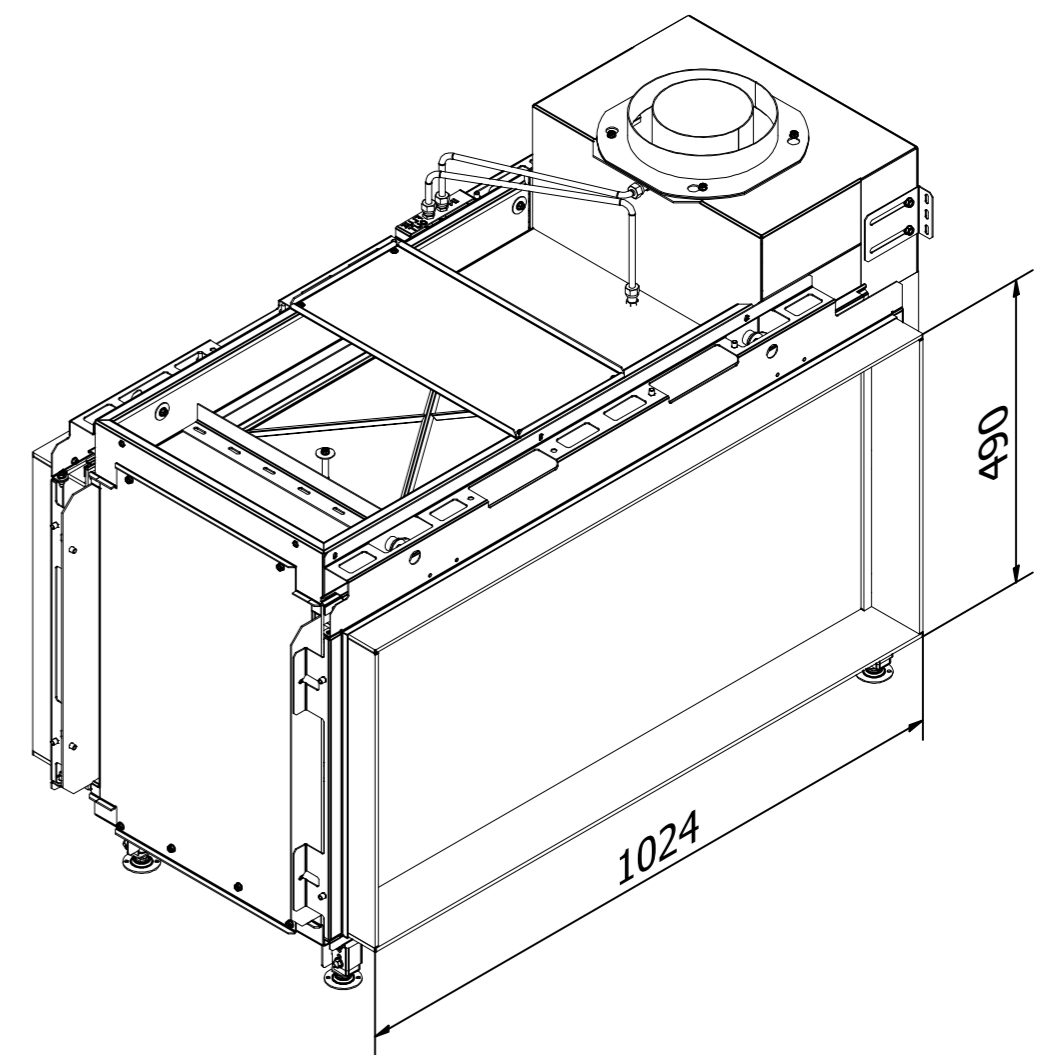
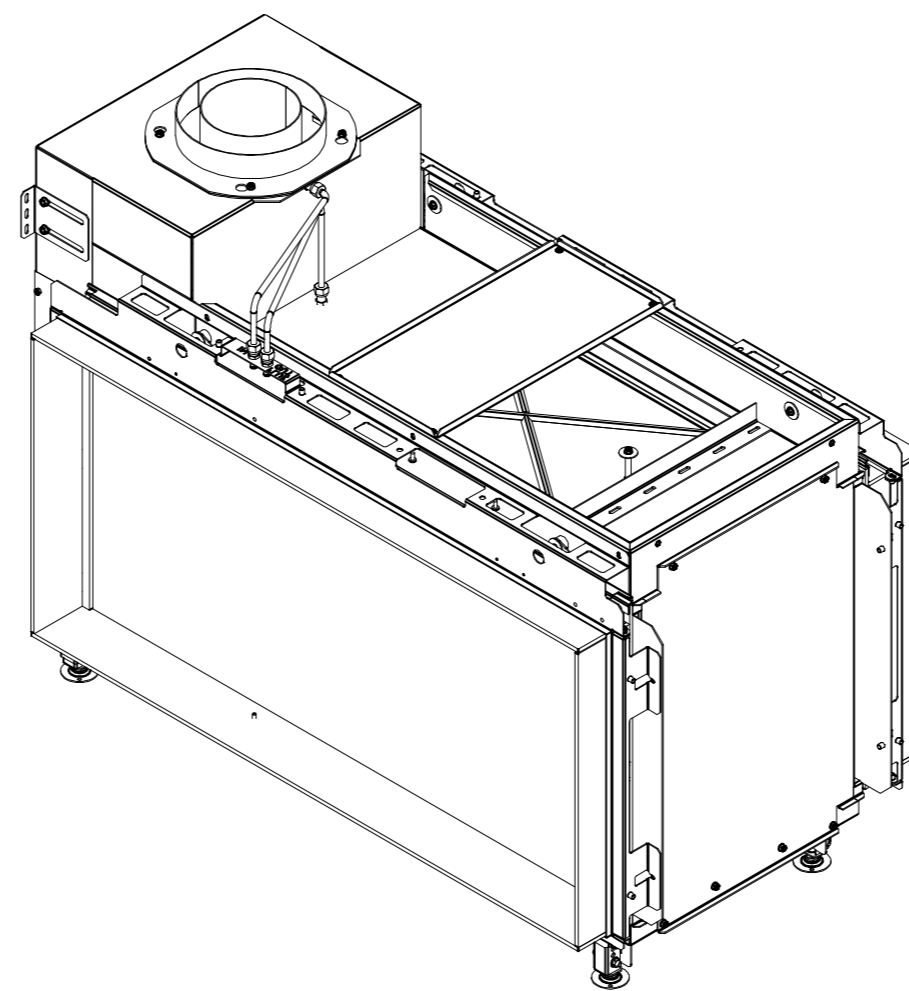
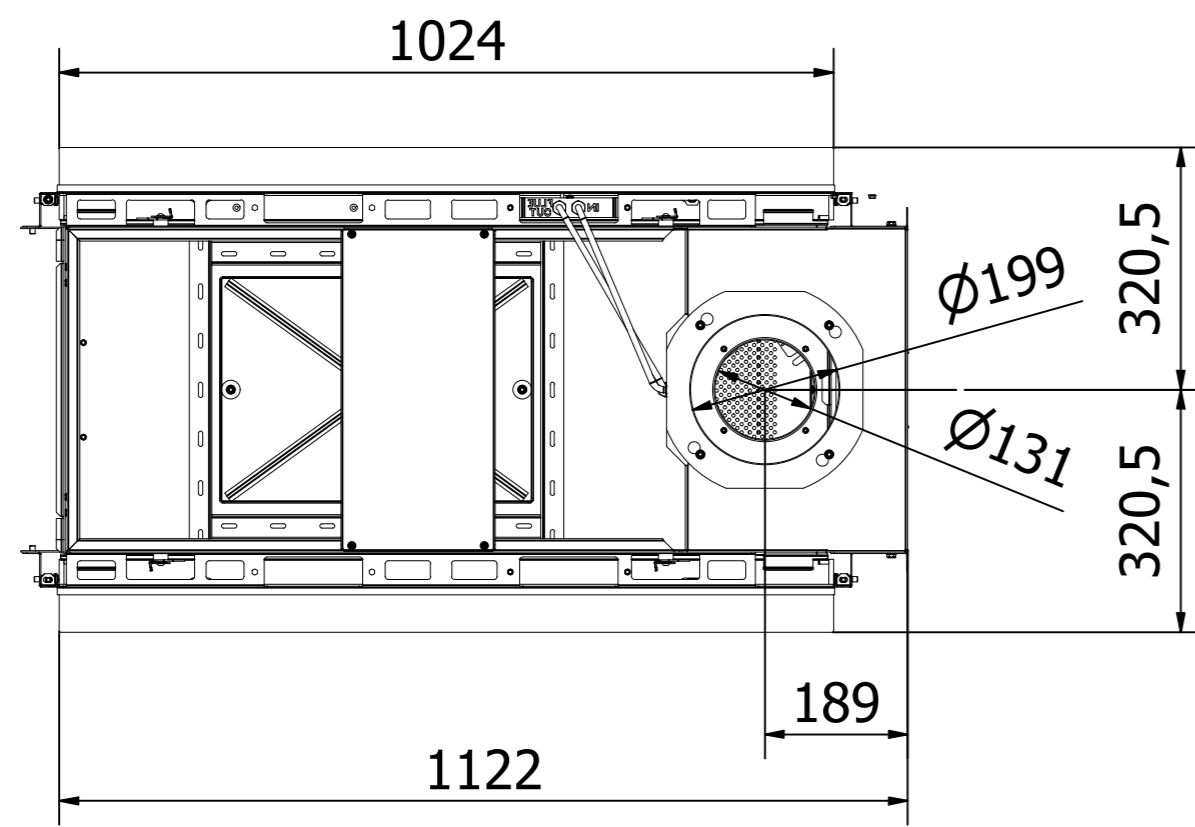
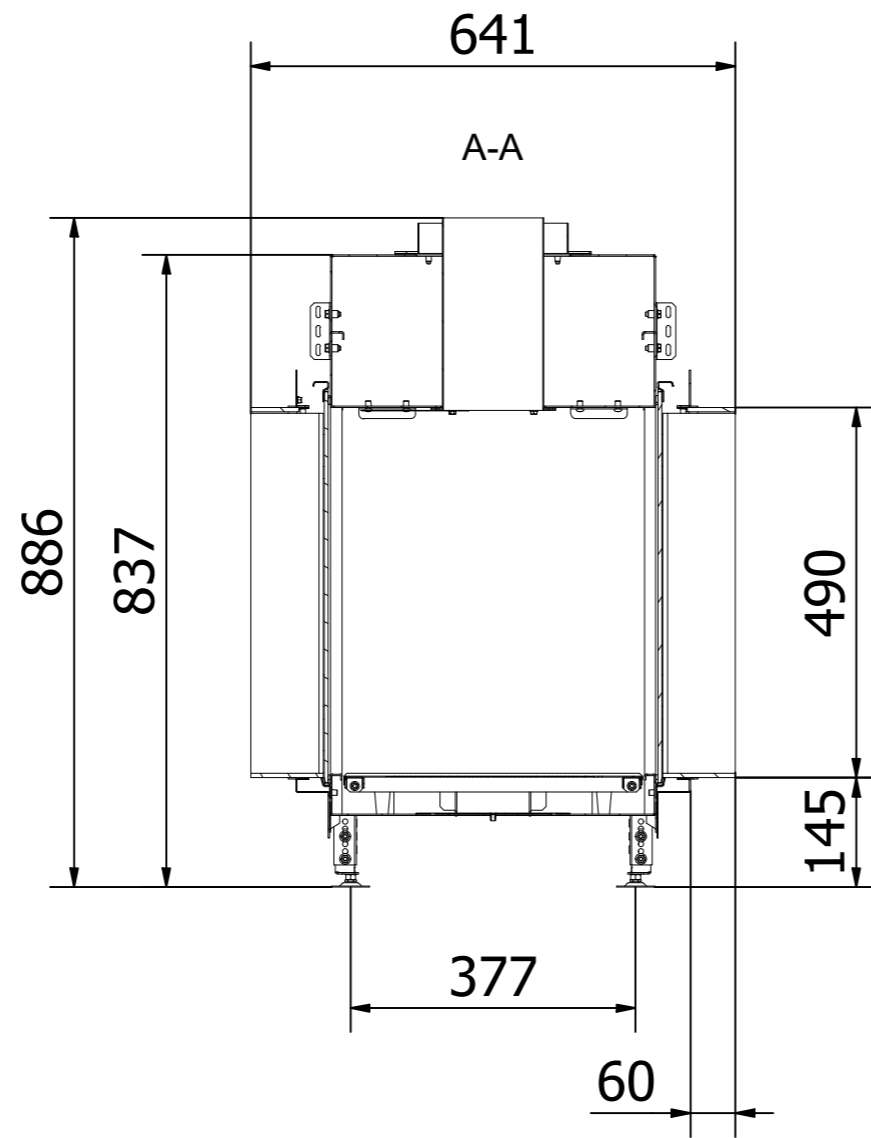
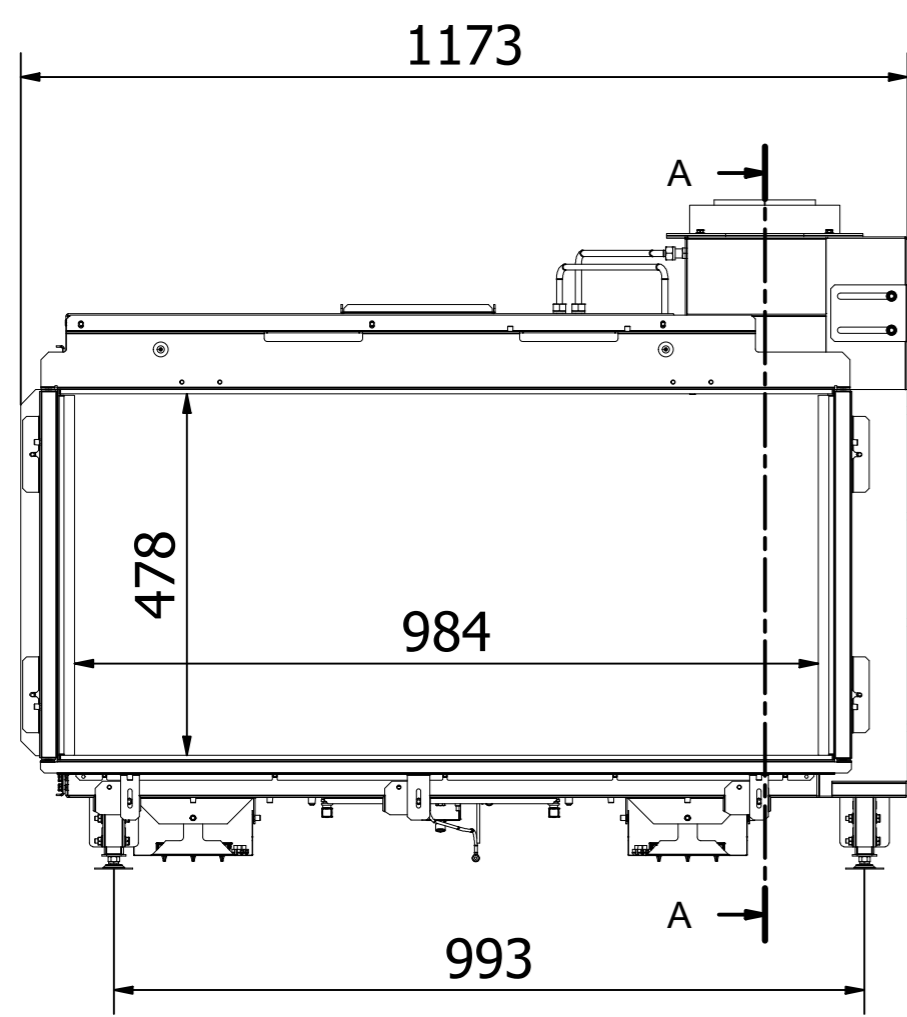
Recommended free
convection openings
min. 200 cm²



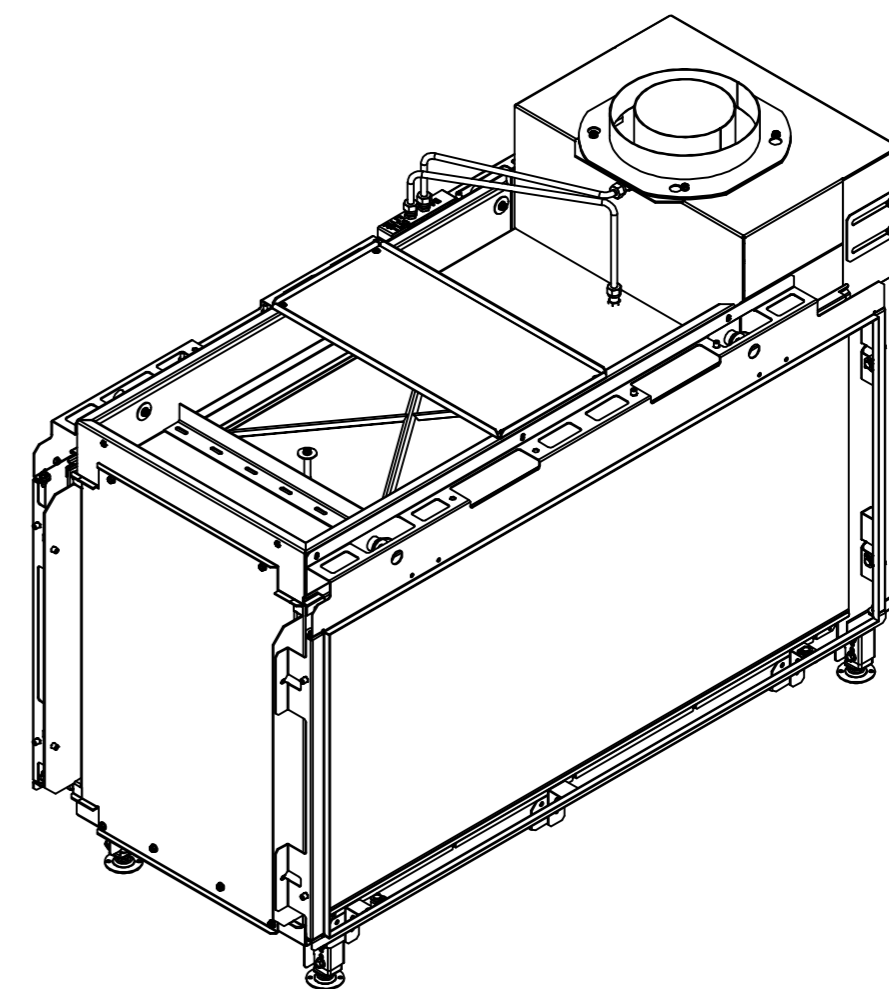
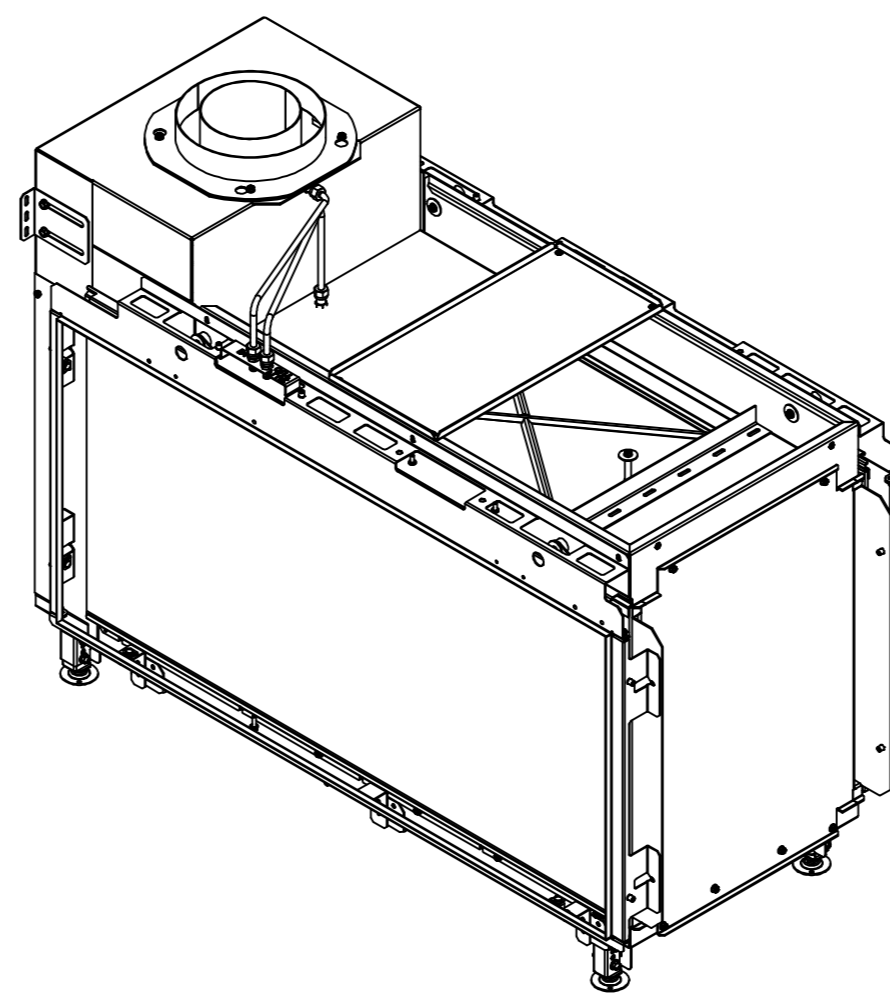
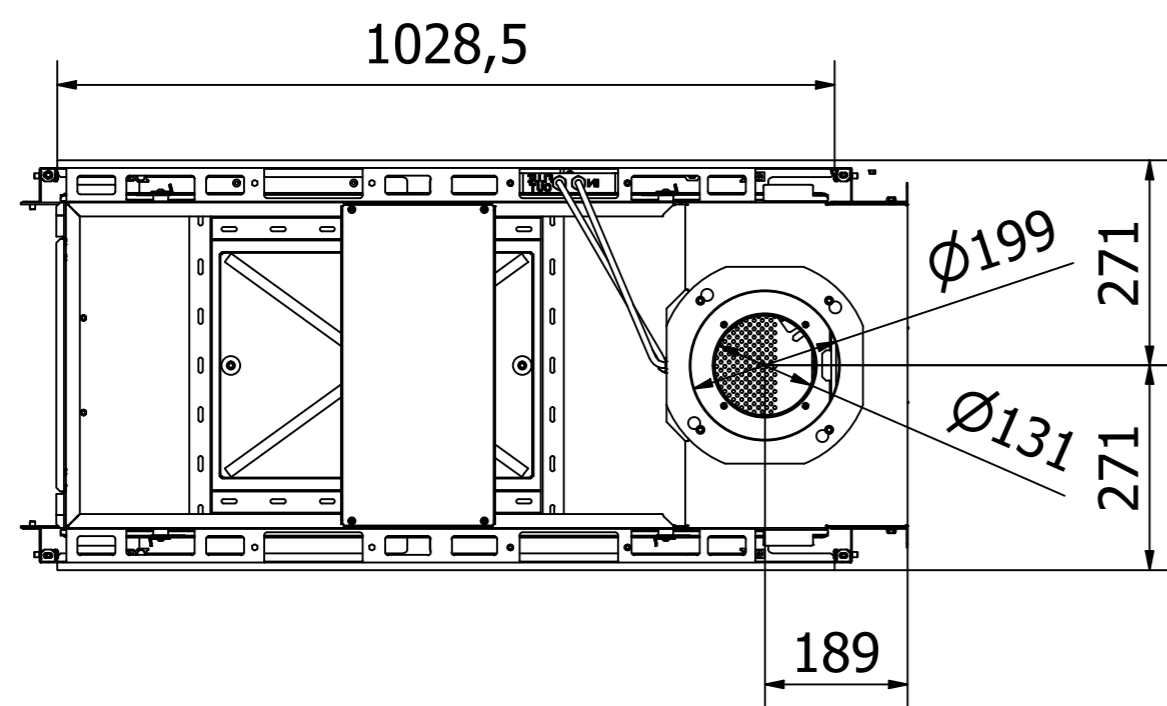
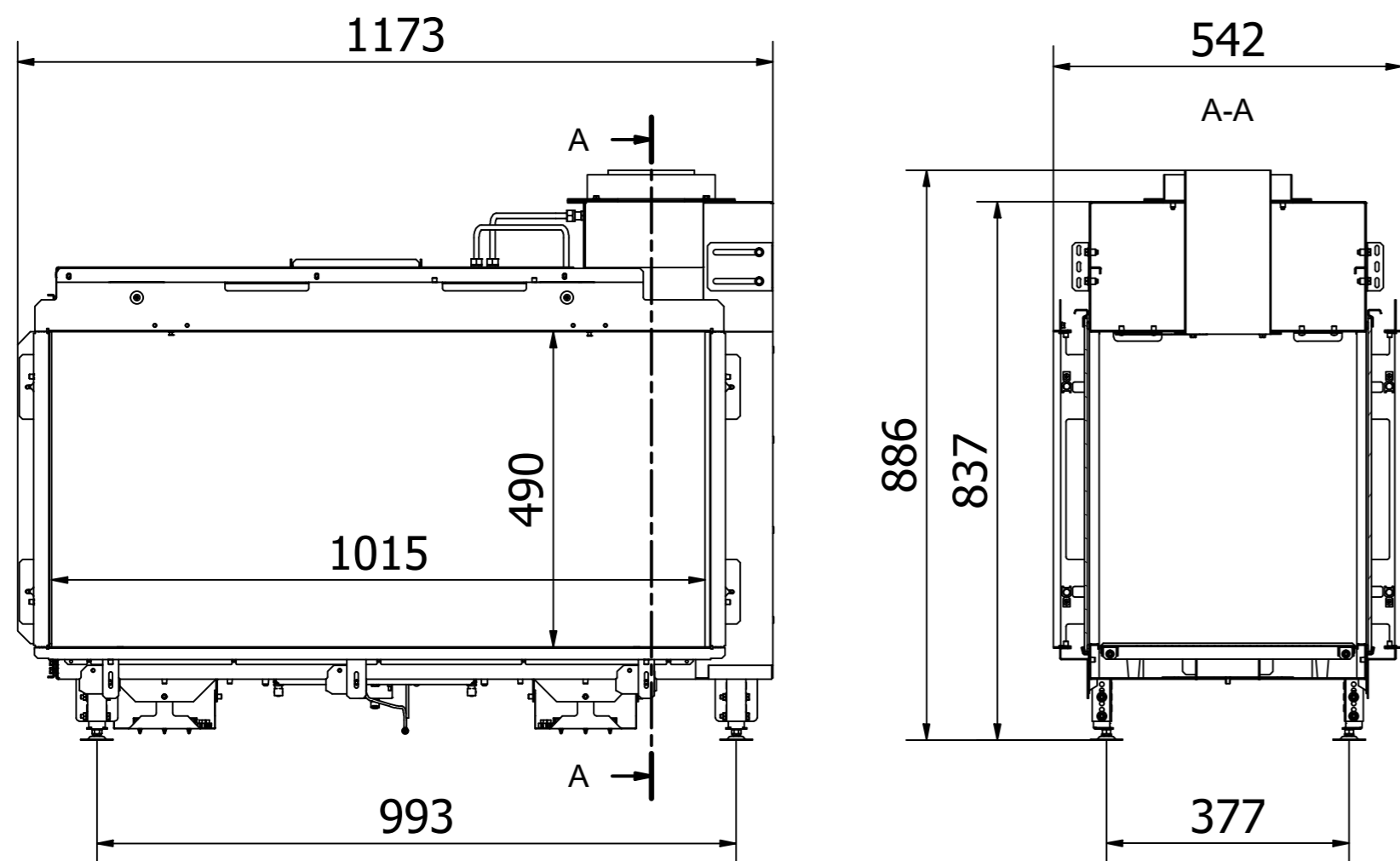
RAIS Visio Gas 40-55-90 T-654201

Recommended free
convection openings
min. 200 cm²

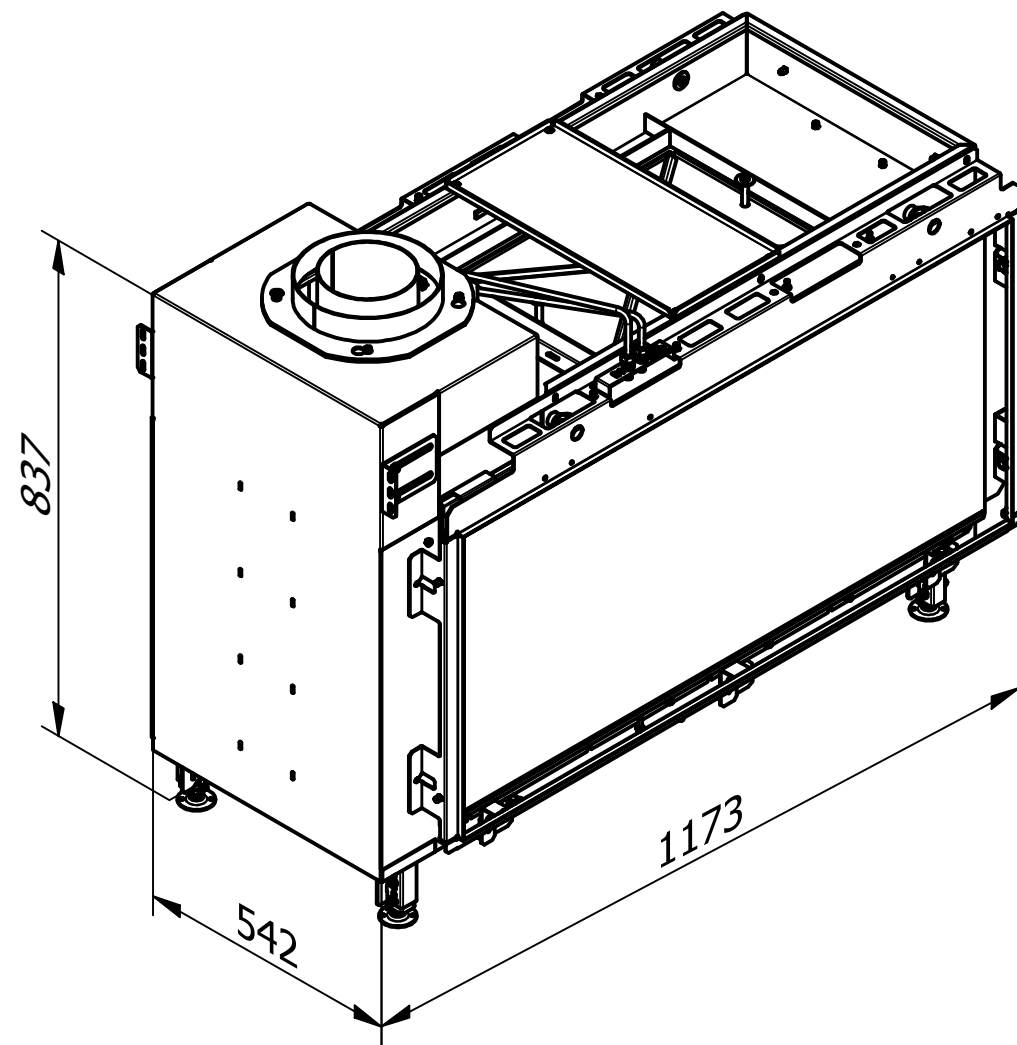




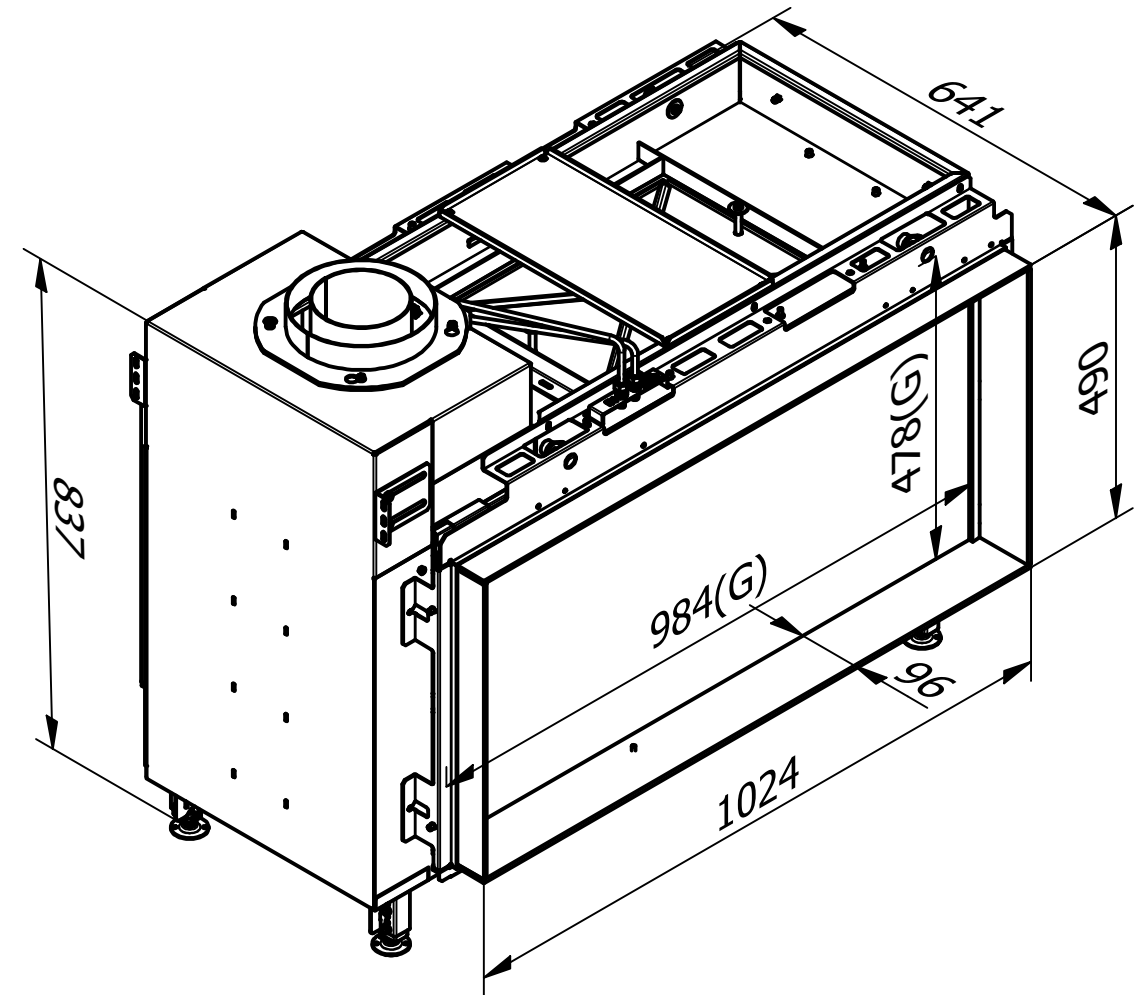
RAIS Visio Gas 43-49-100 T-6541



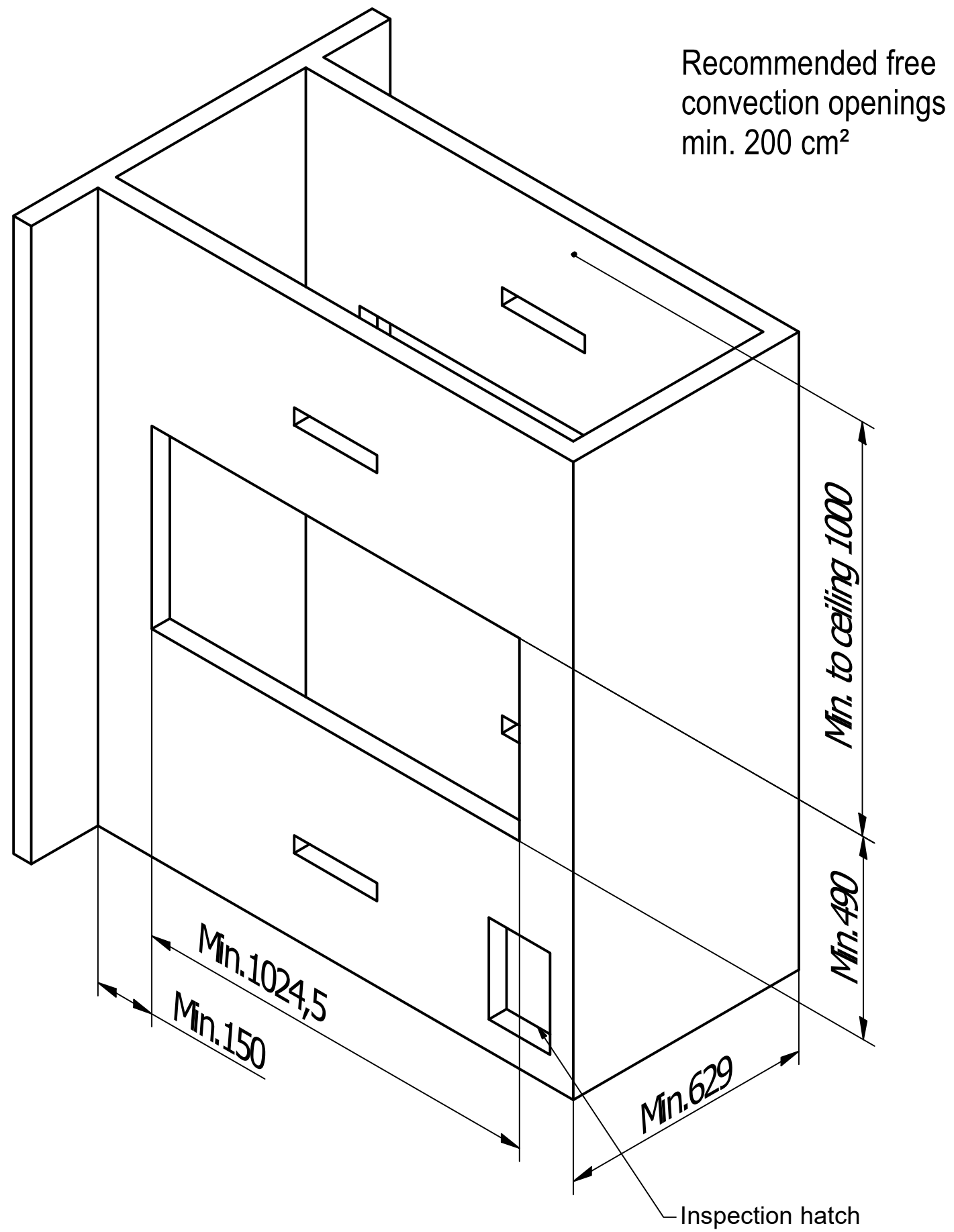
RAIS Visio Gas 43-49-100 T-6543



Without frame



With frame



Rais Visio Gas 43-49-100 T-654401