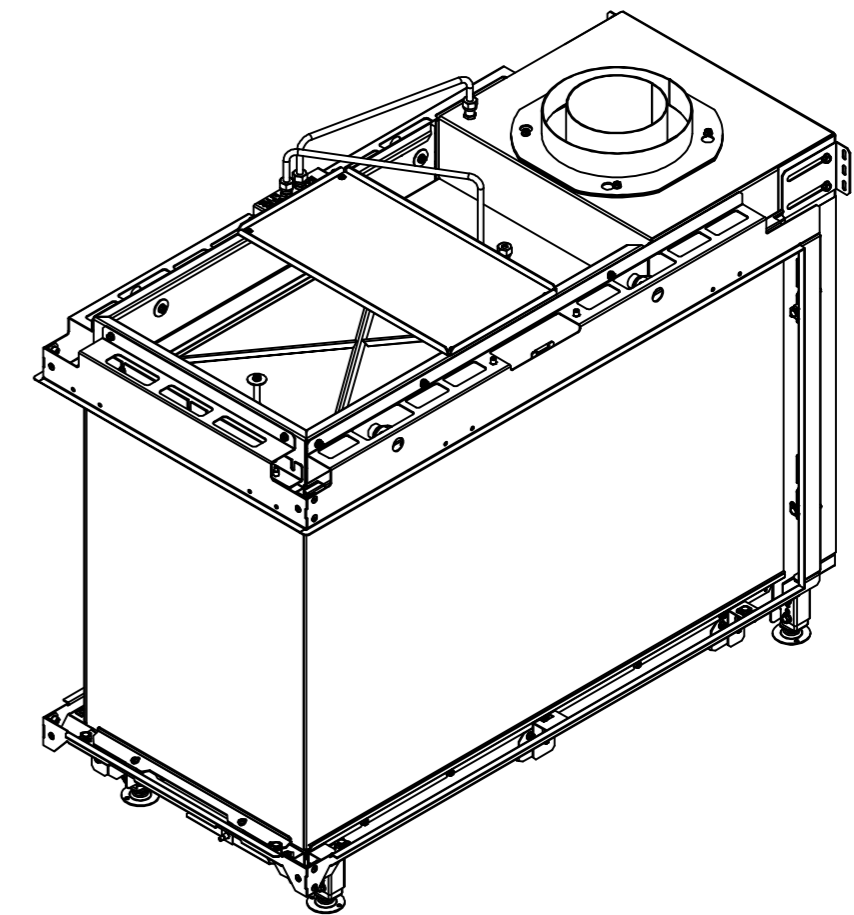
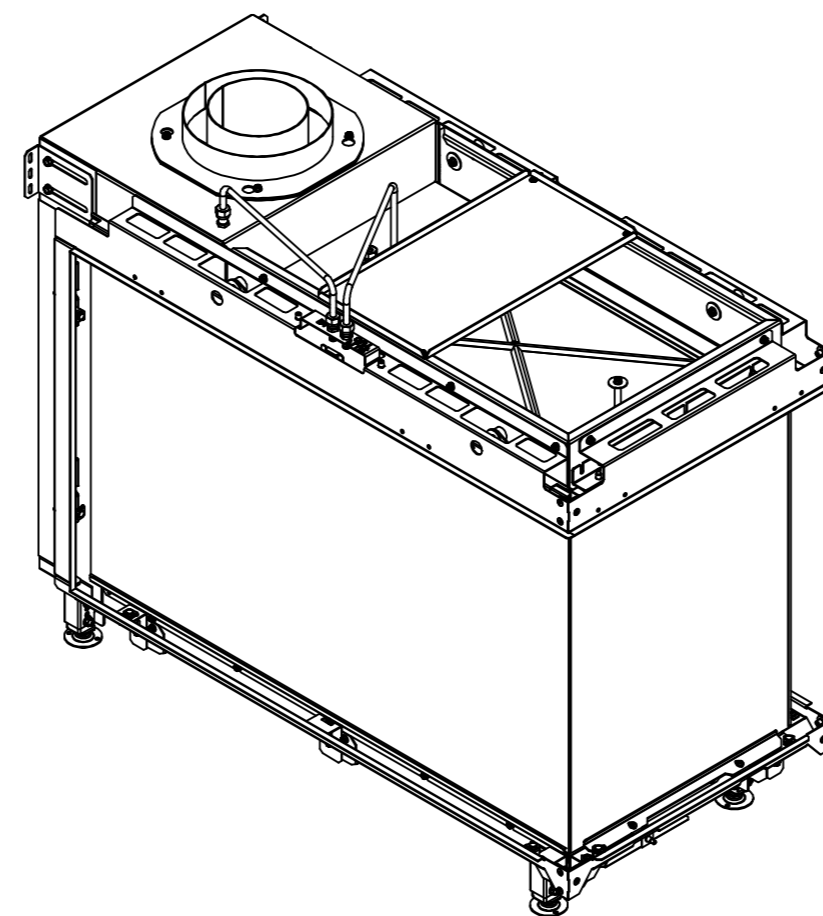
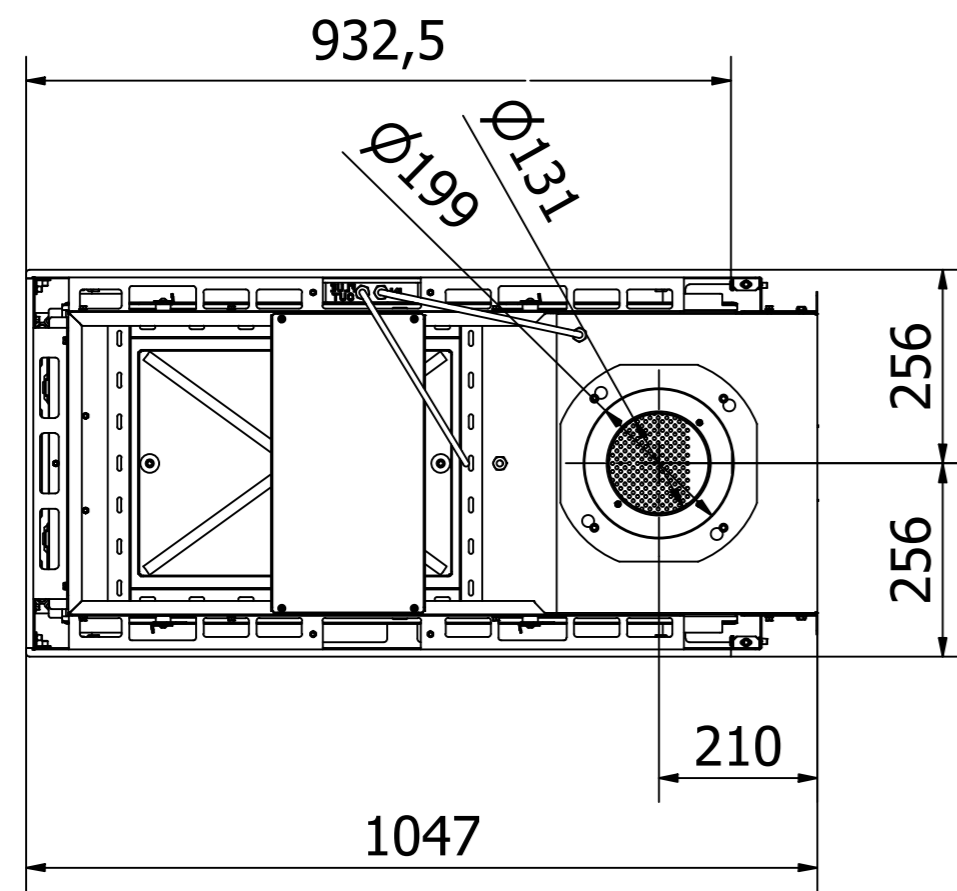
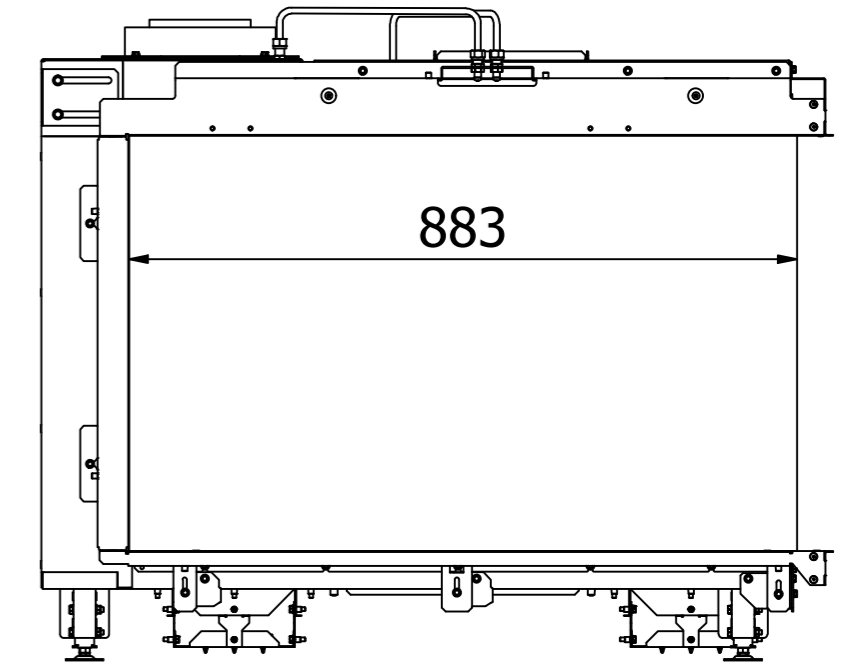
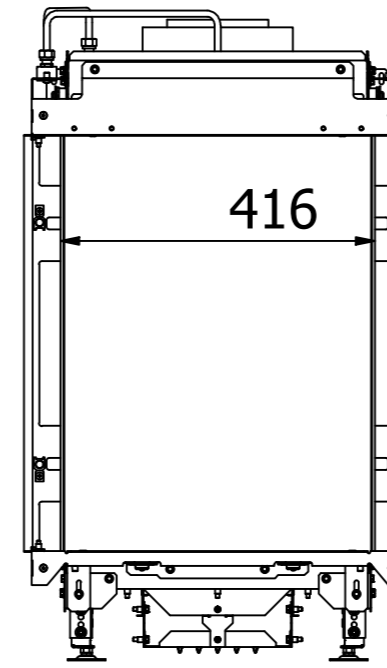
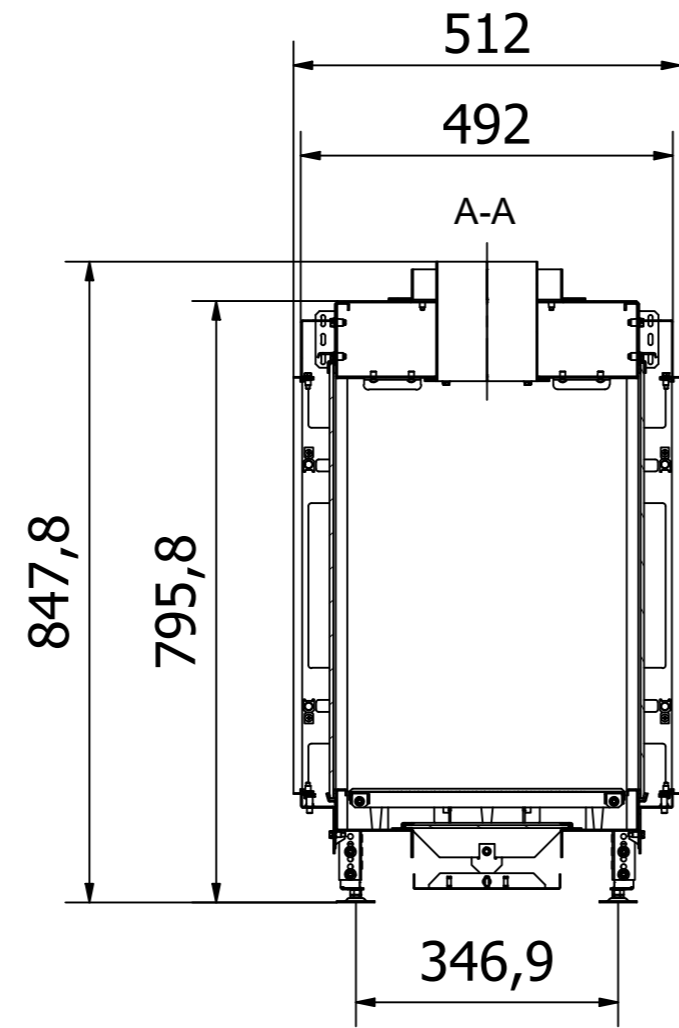
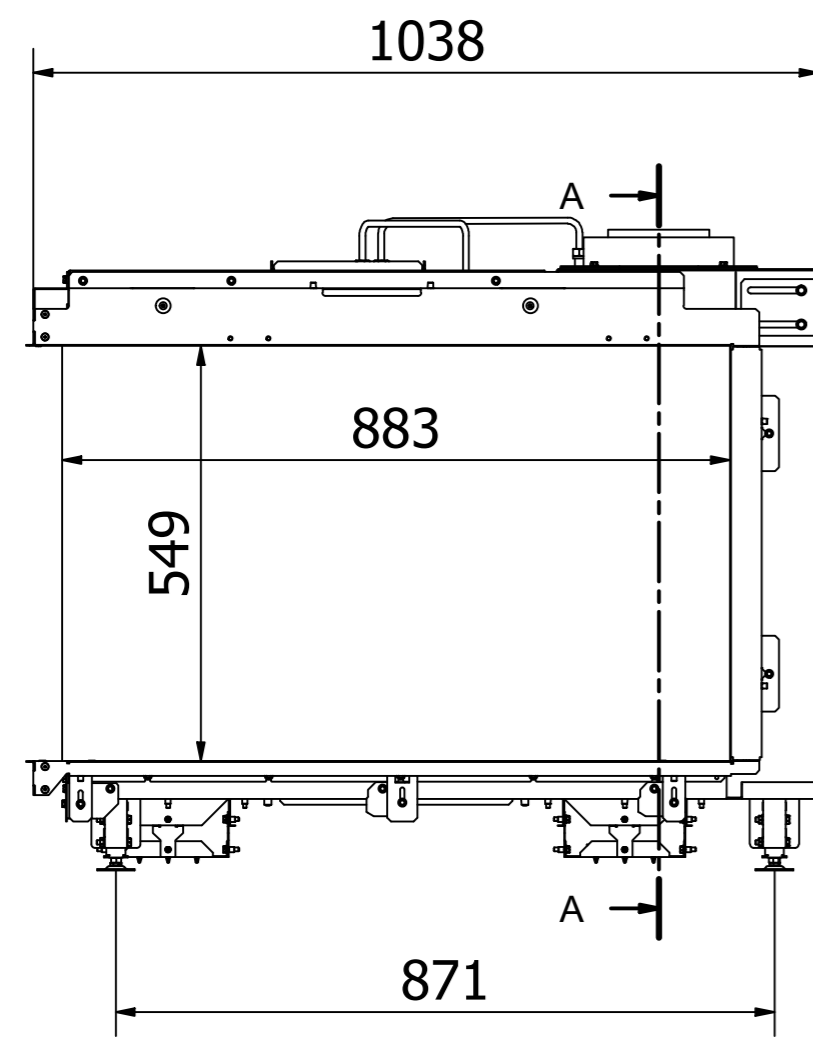


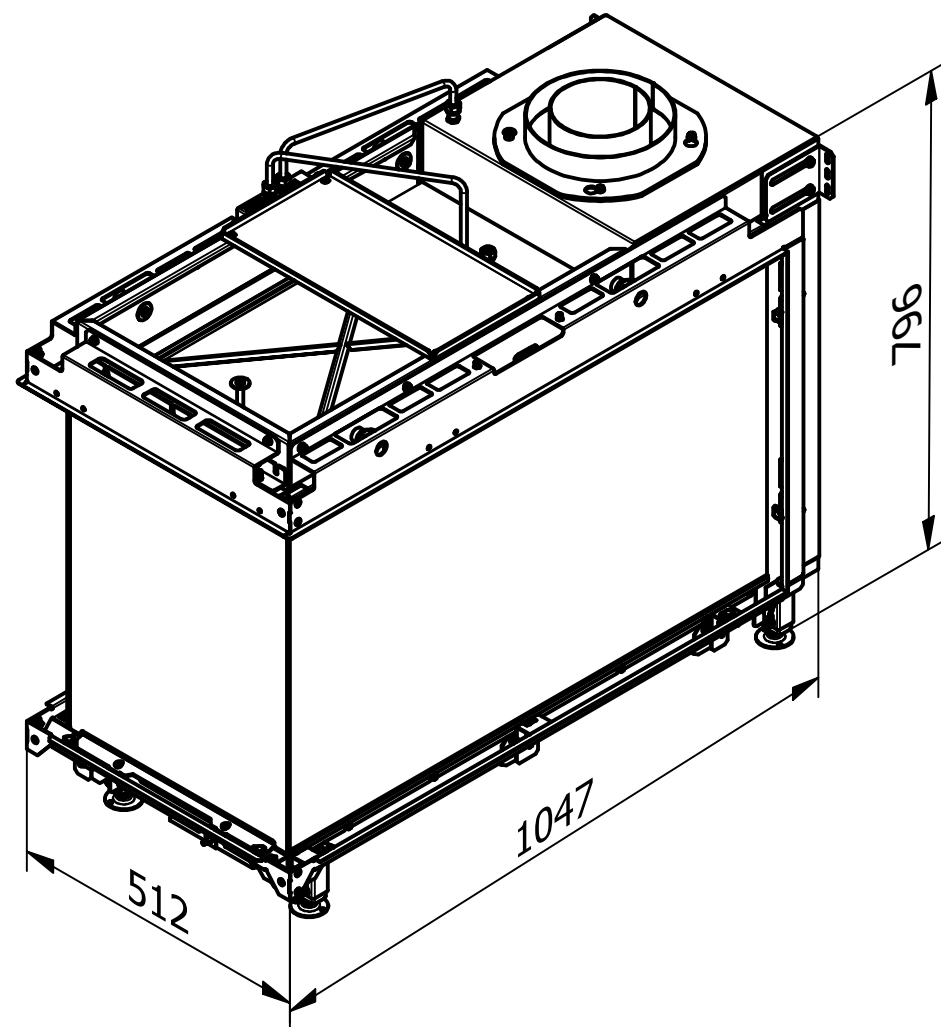
RAIS Visio Gas 40-55-90 RD-6541

Visio7_Room_Divider_061022

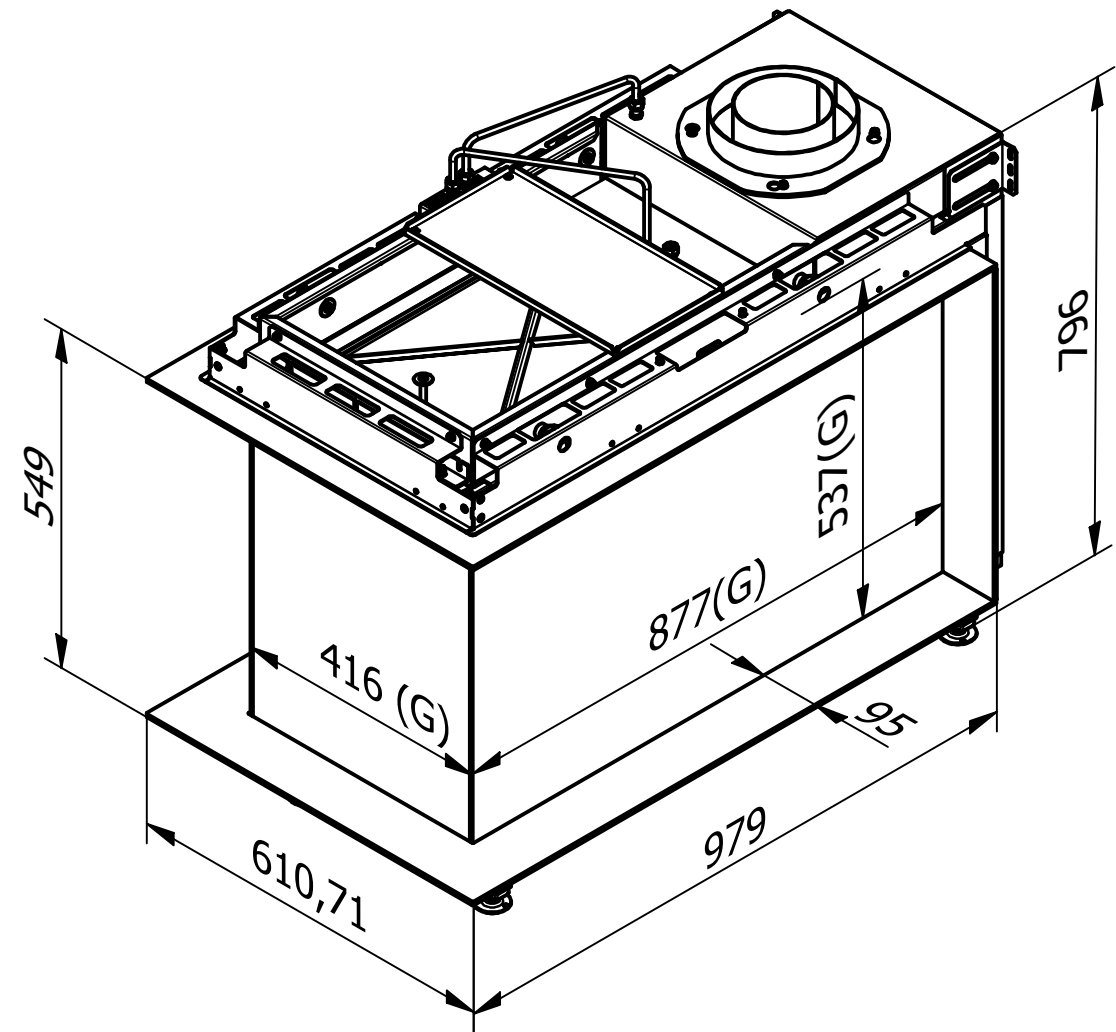


RAIS Visio Gas 40-55-90 RD-6543

Visio7_Room_Divider_061022

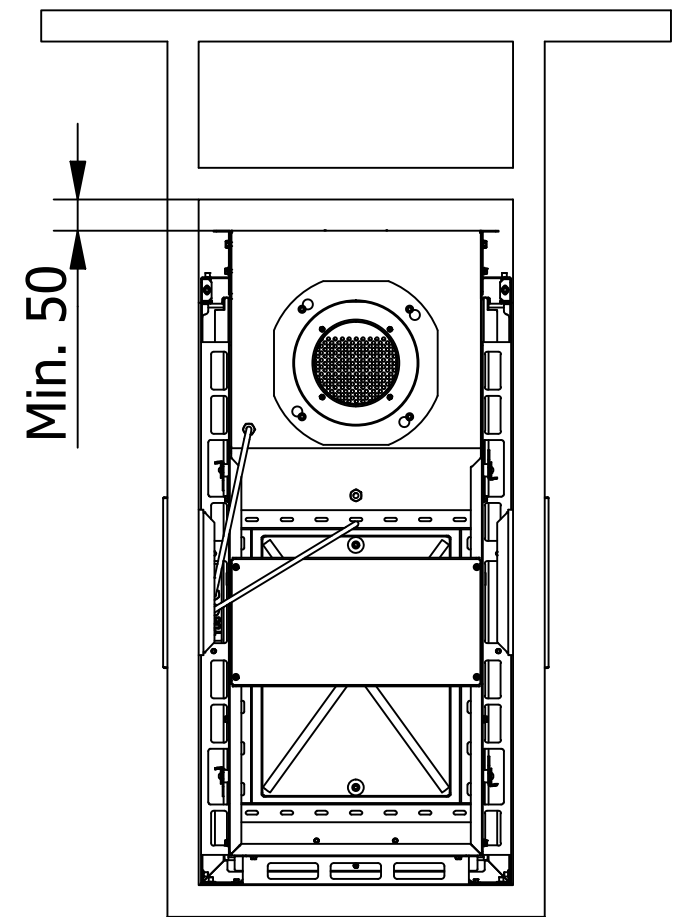
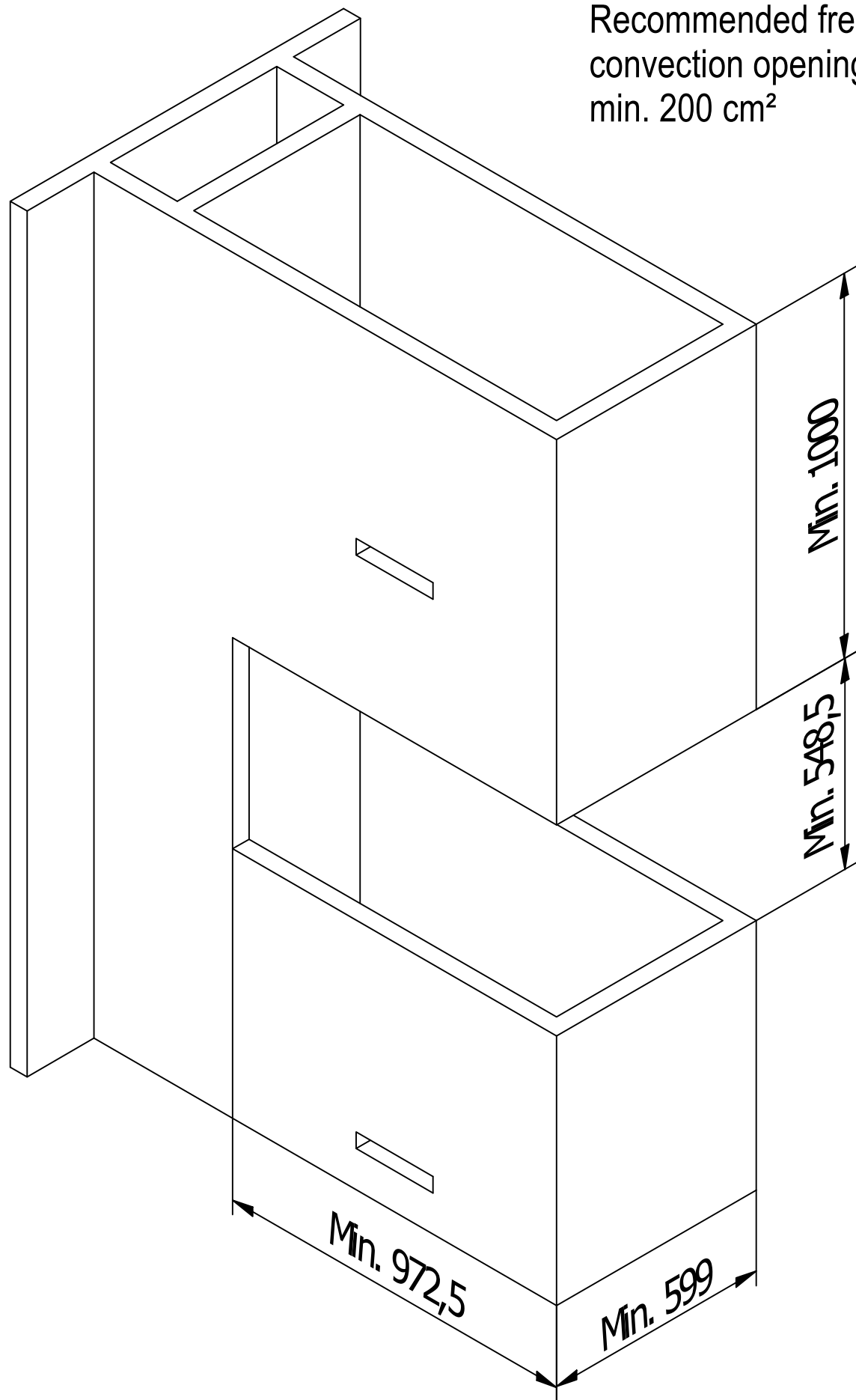


Without frame



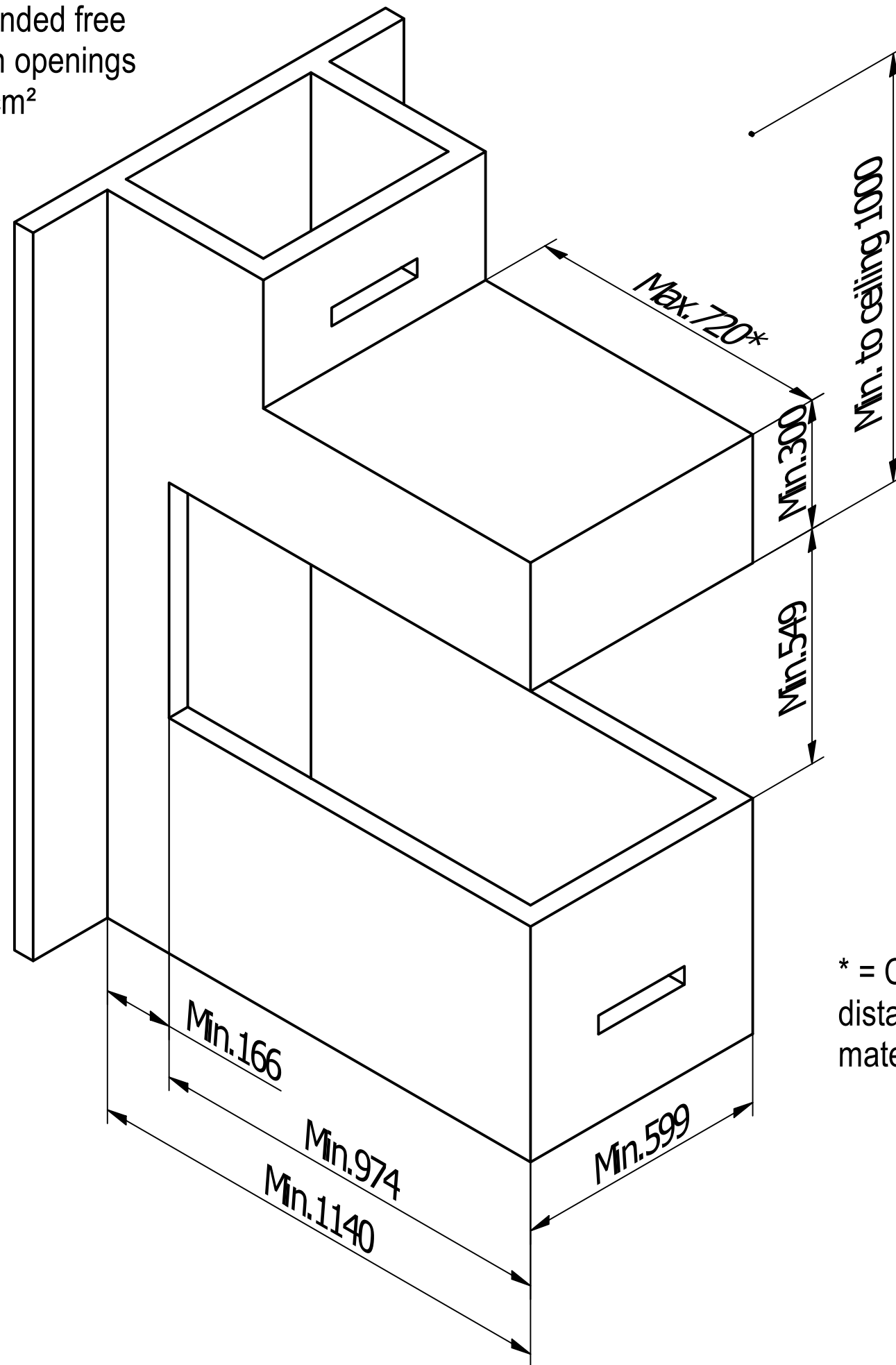
With frame

Recommended free
convection openings
min. 200 cm²

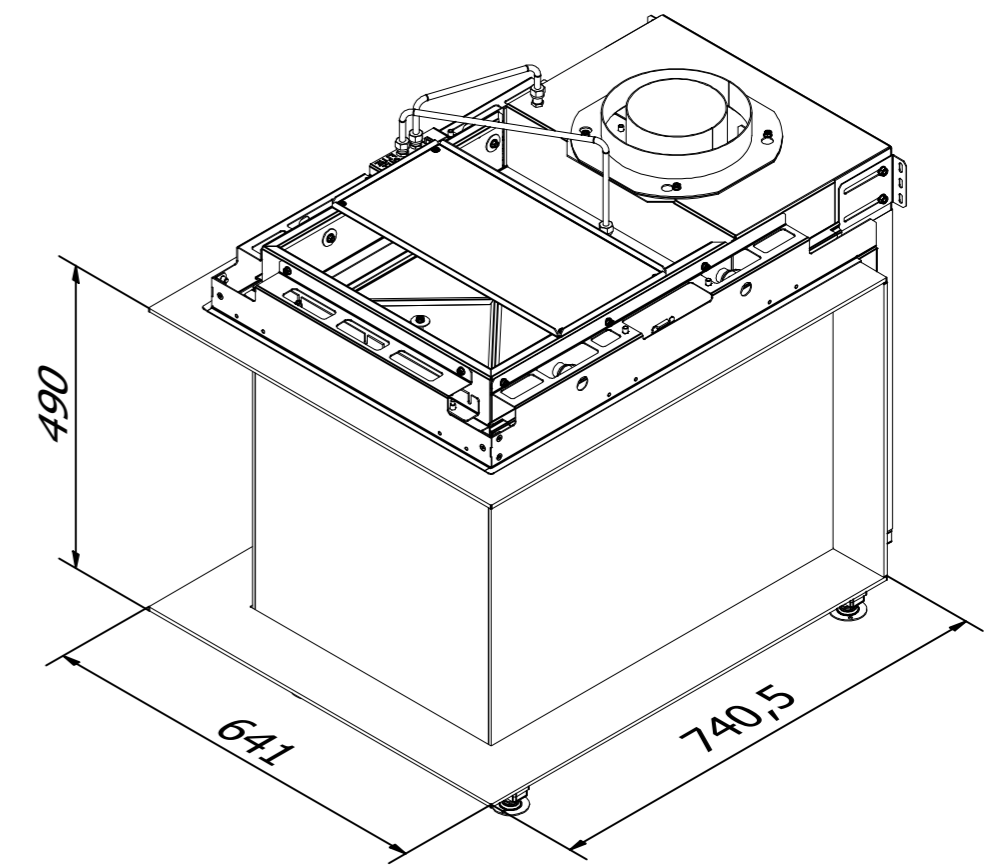
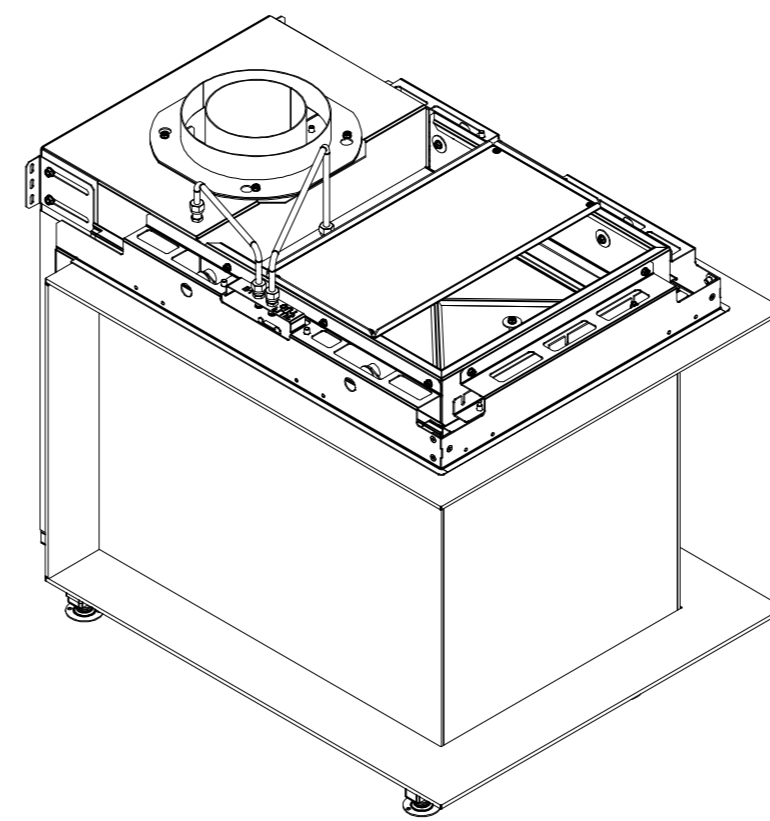
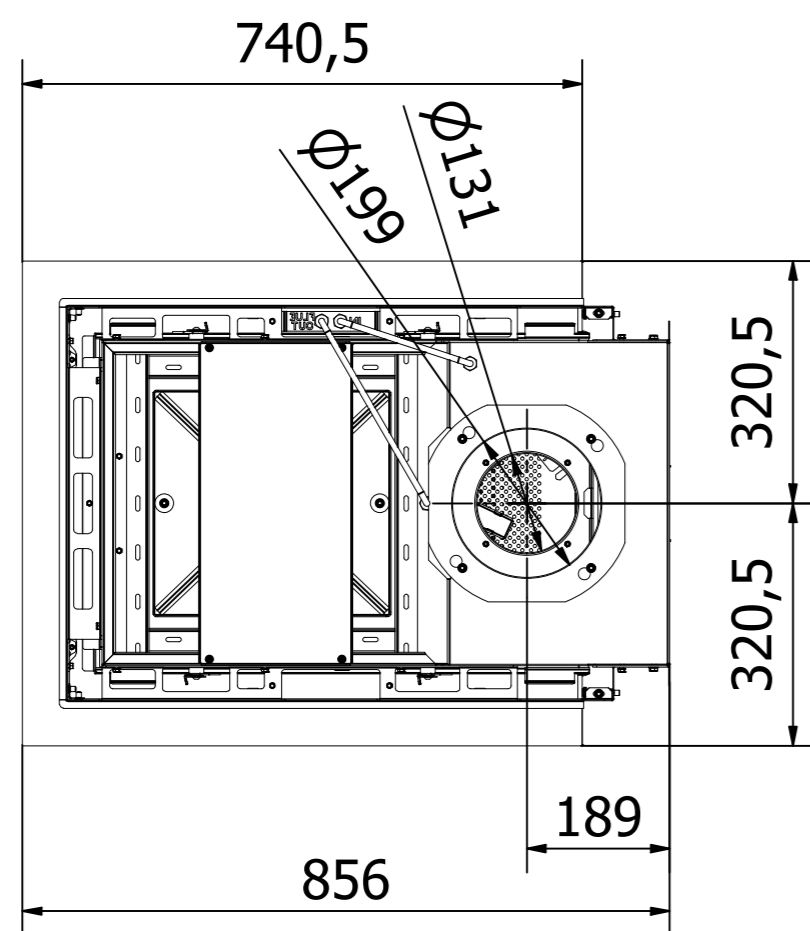
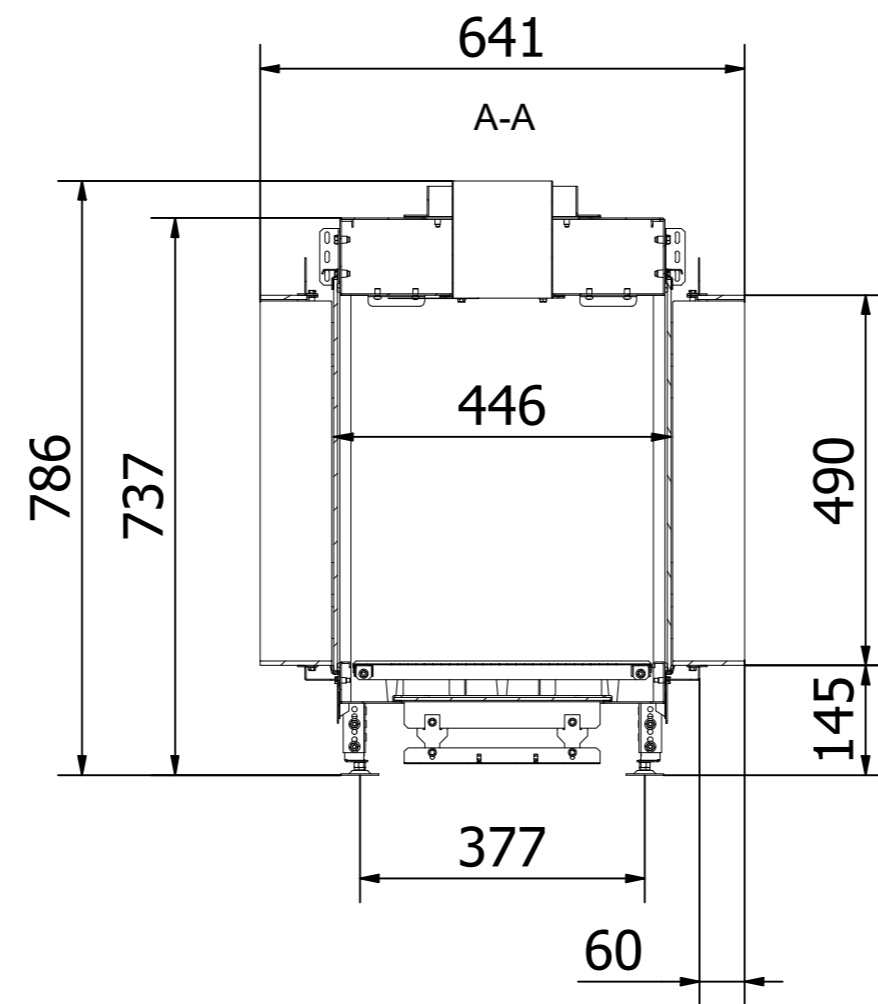
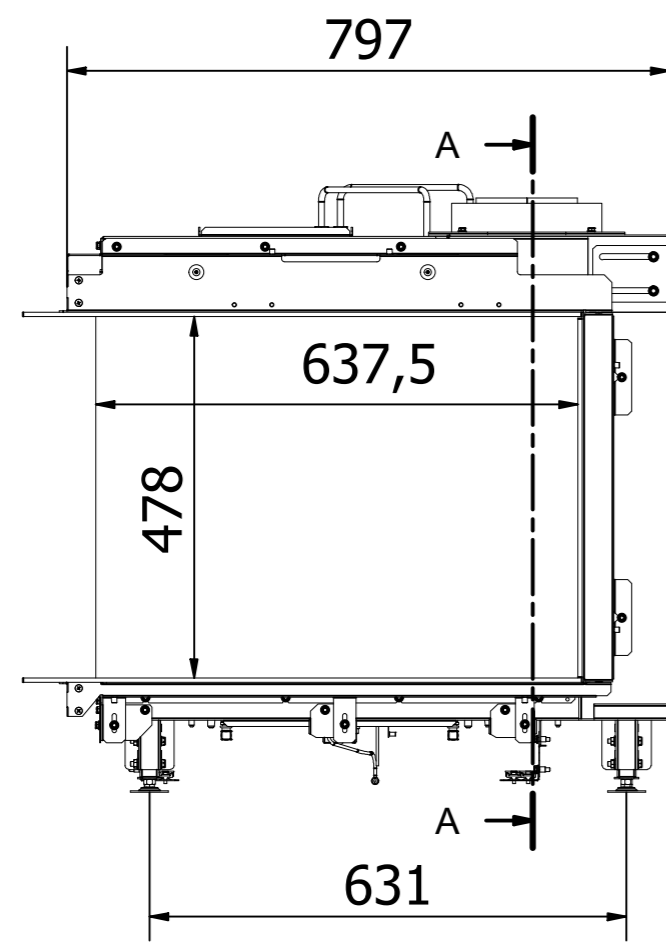


RAIS Visio Gas 40-55-90 RD-654201

Recommended free
convection openings
min. 200 cm²

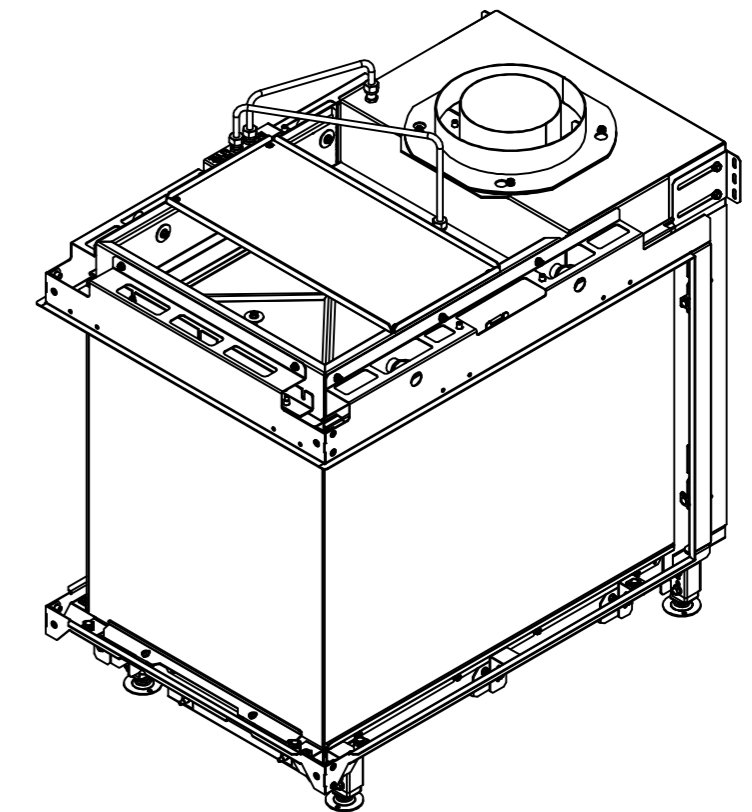
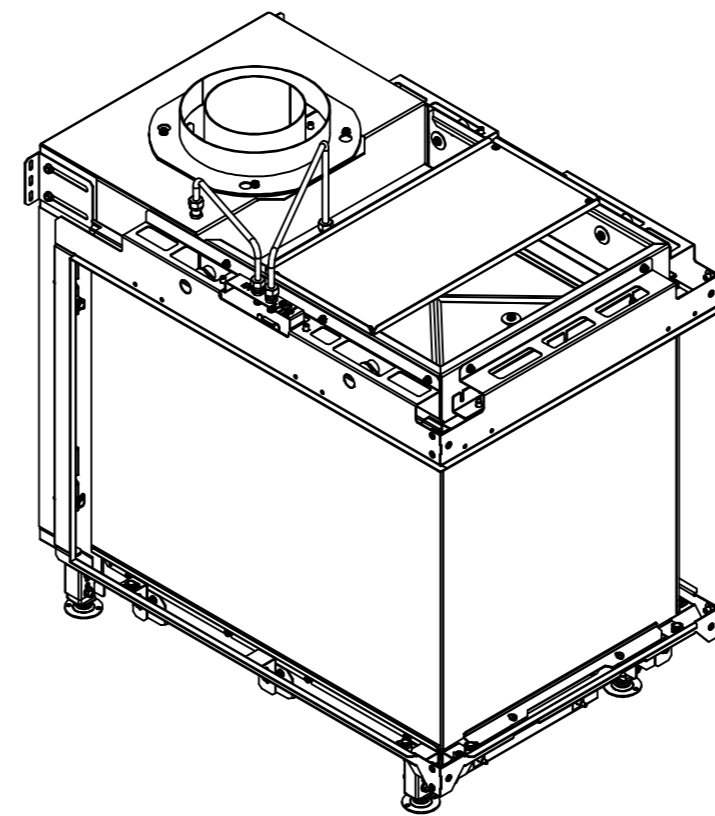
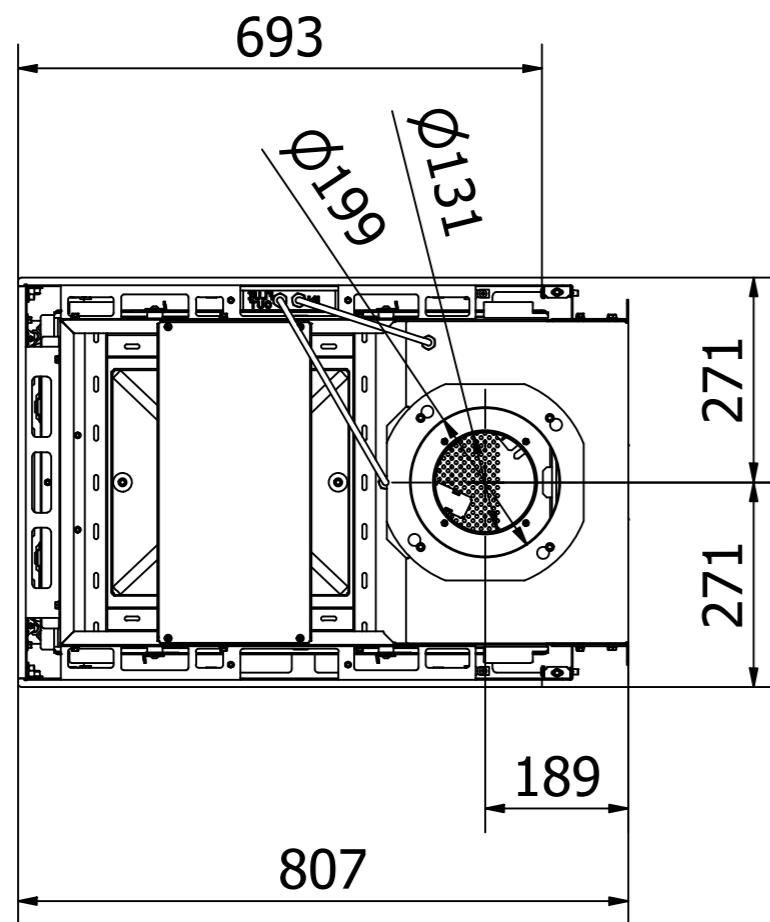
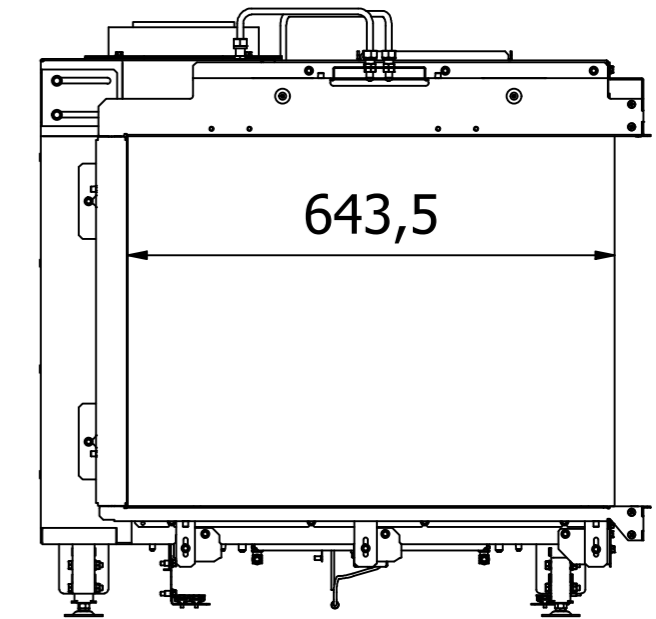
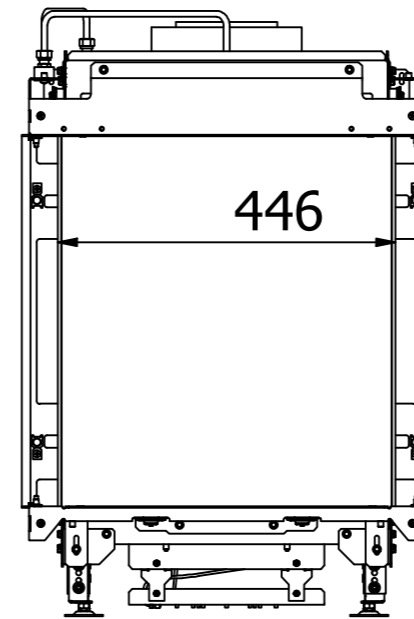
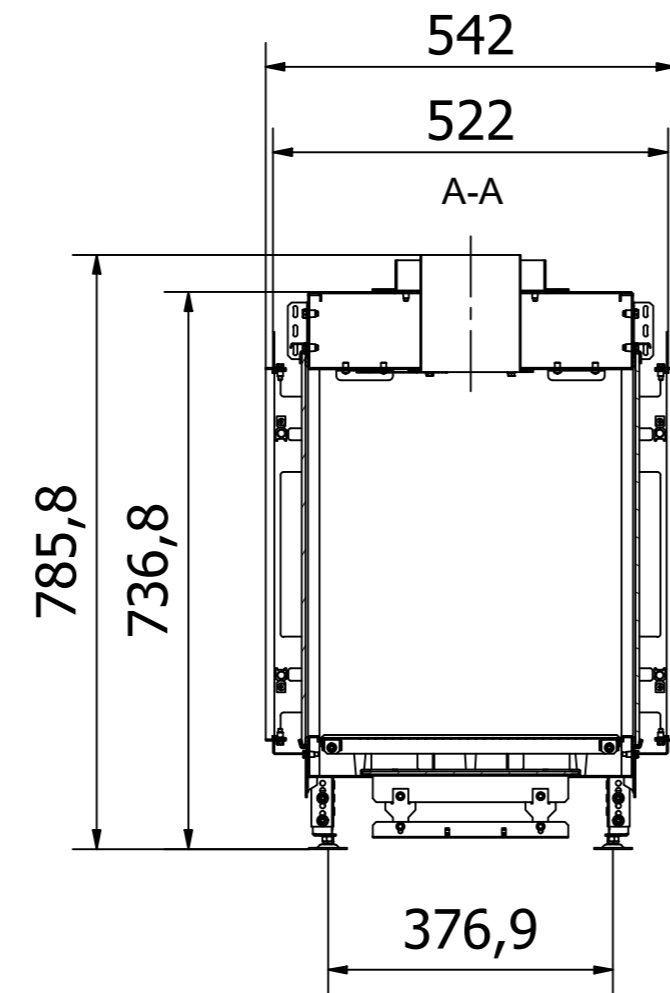
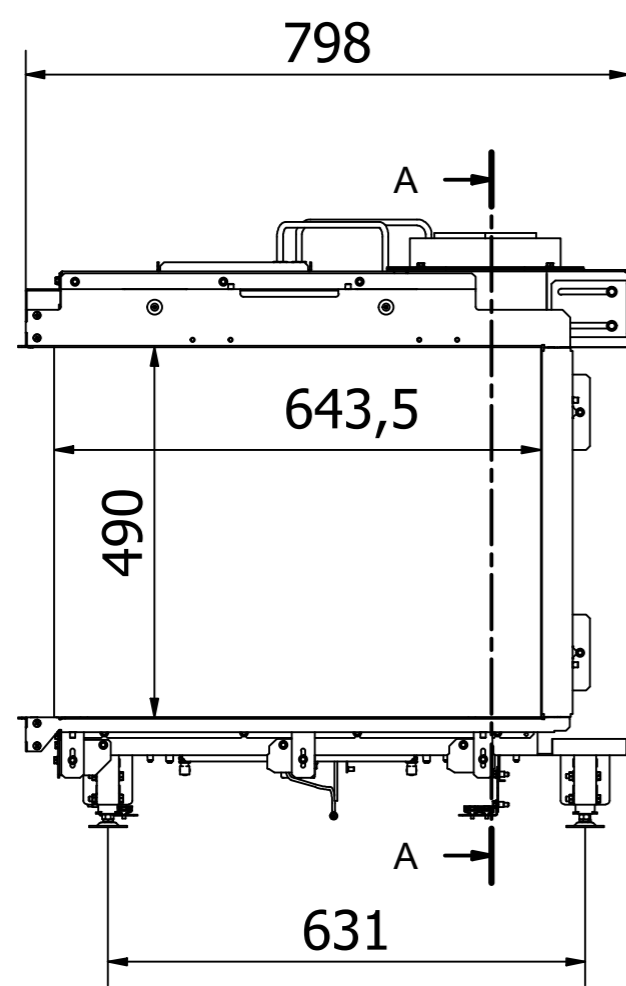


* = Check manual for
distances to combustible
materials.



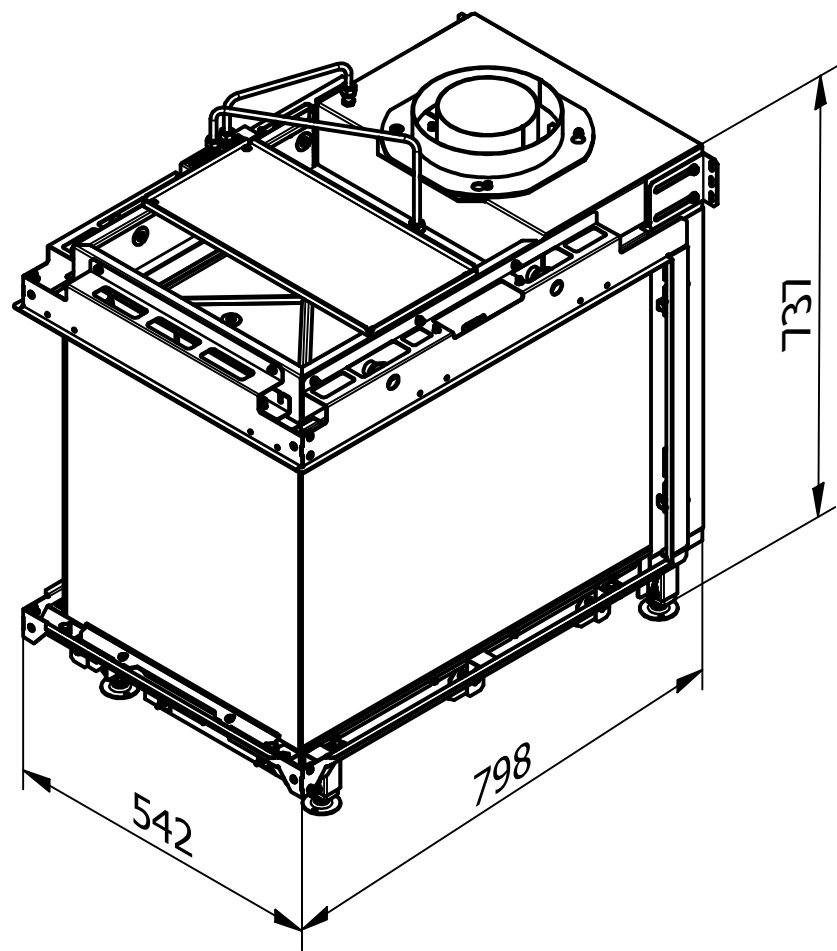
RAIS Visio Gas 43-49-65 RD-6541

Visio6_Room_Divider_061022

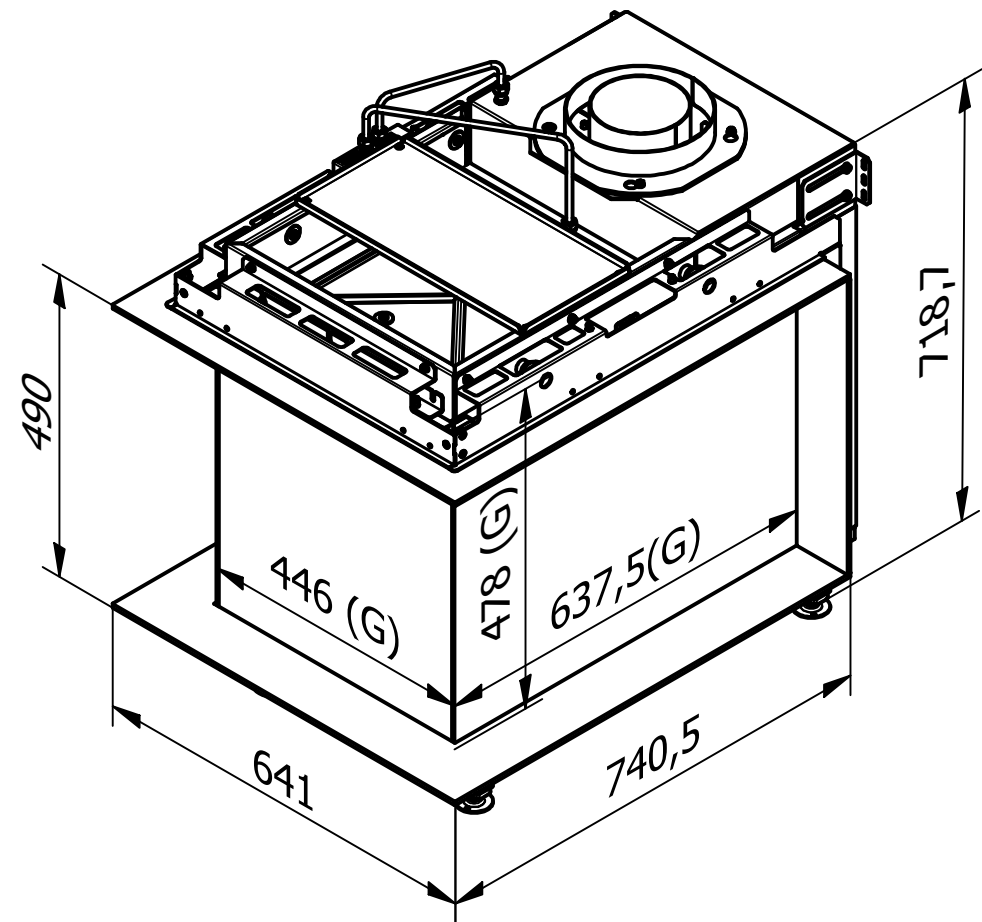


RAIS Visio Gas 43-49-65 RD-6543

Visio6_Room_Divider_061022

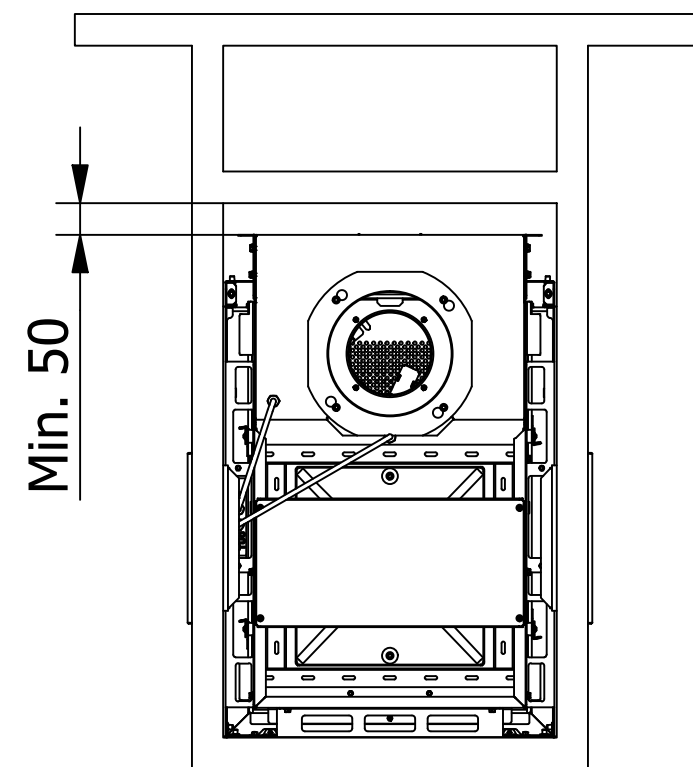
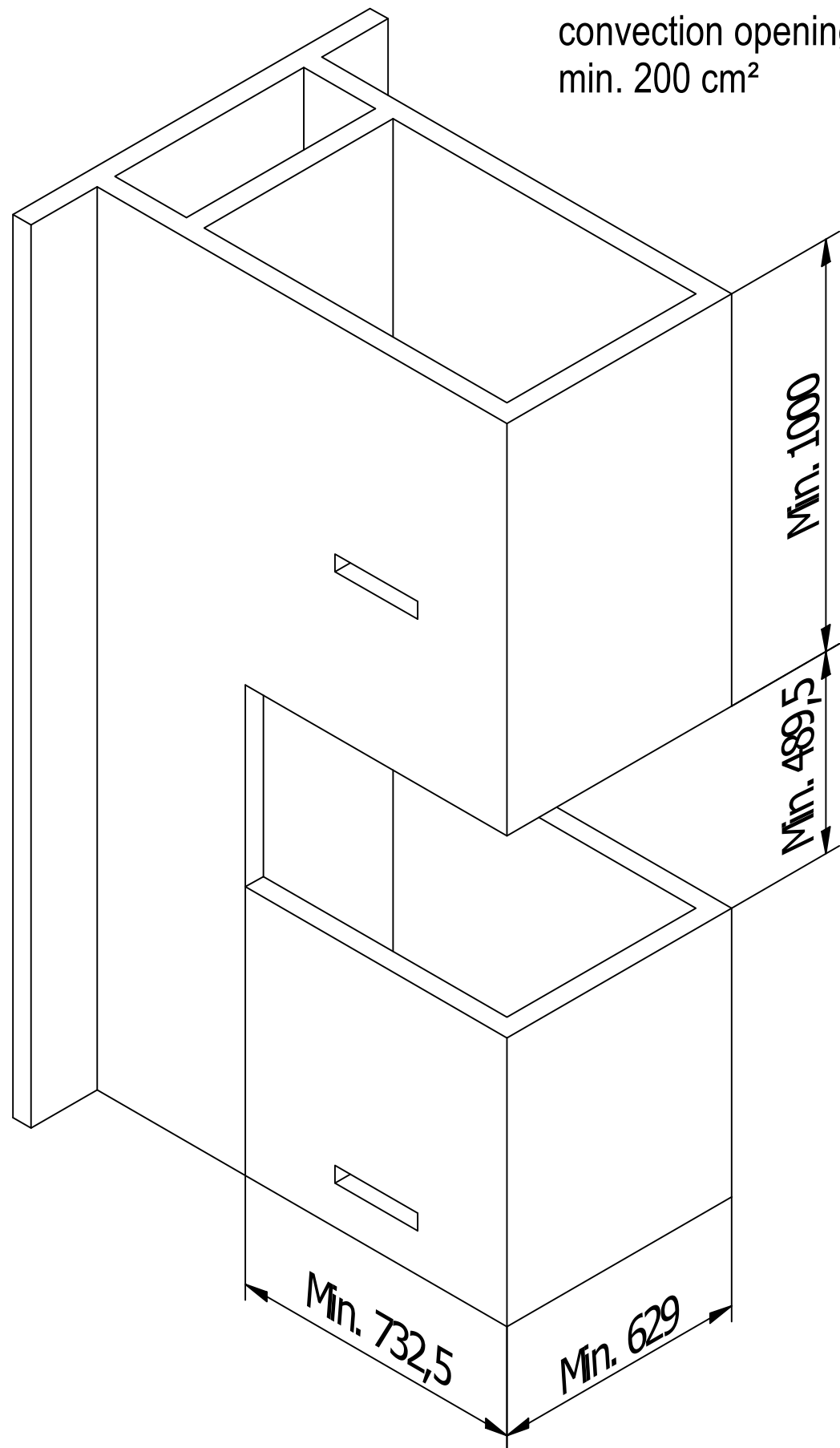


Without frame

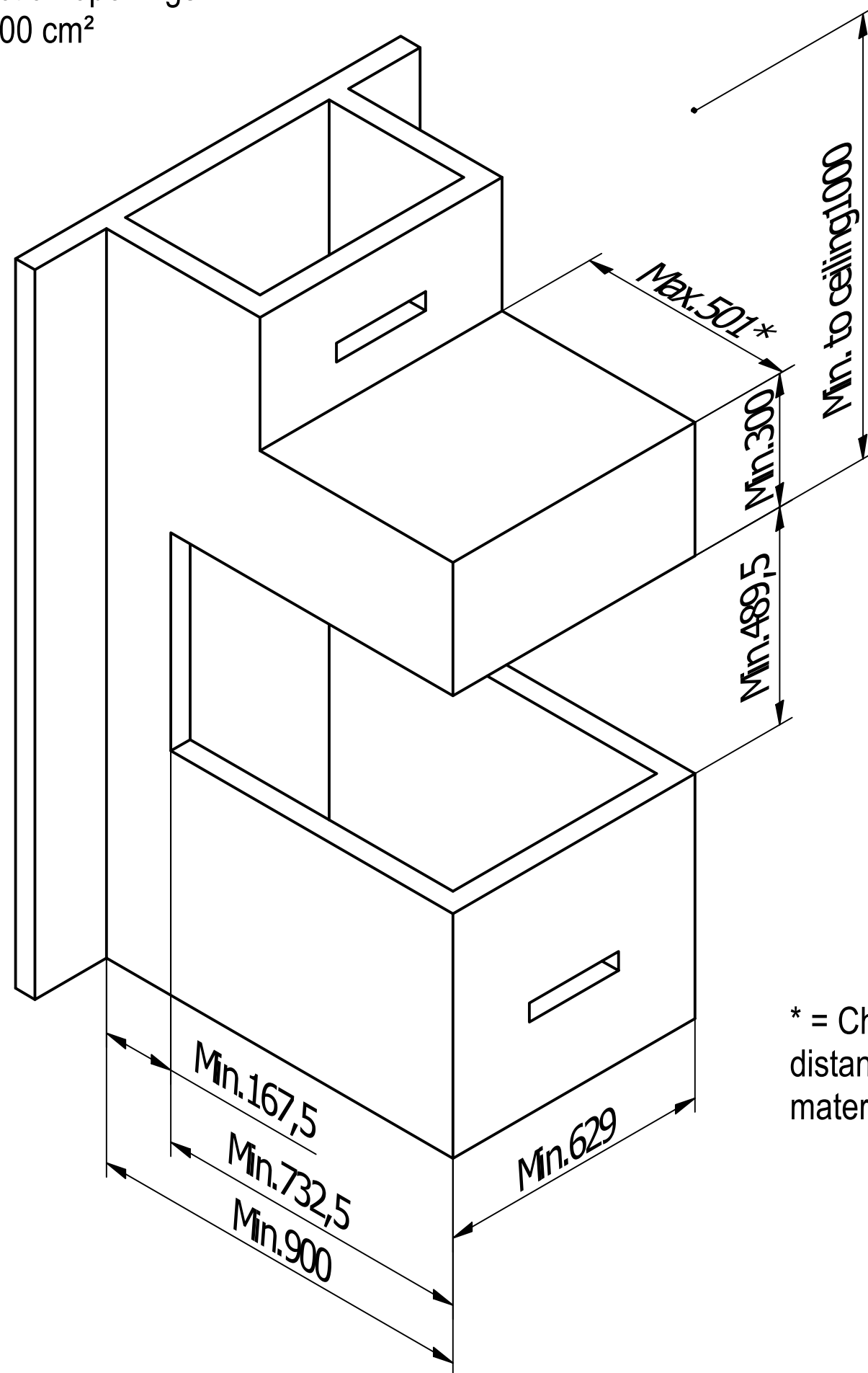


With frame

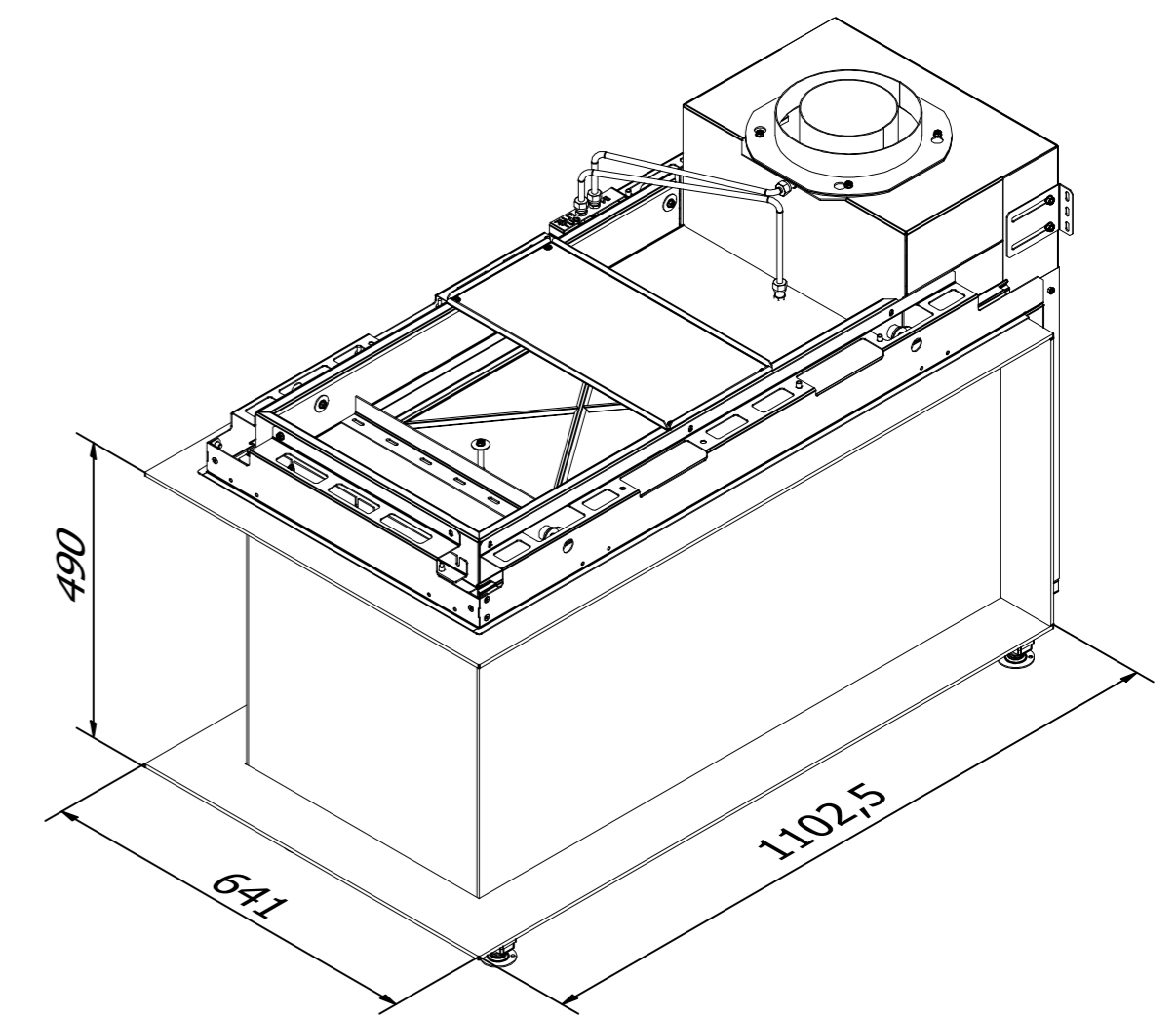
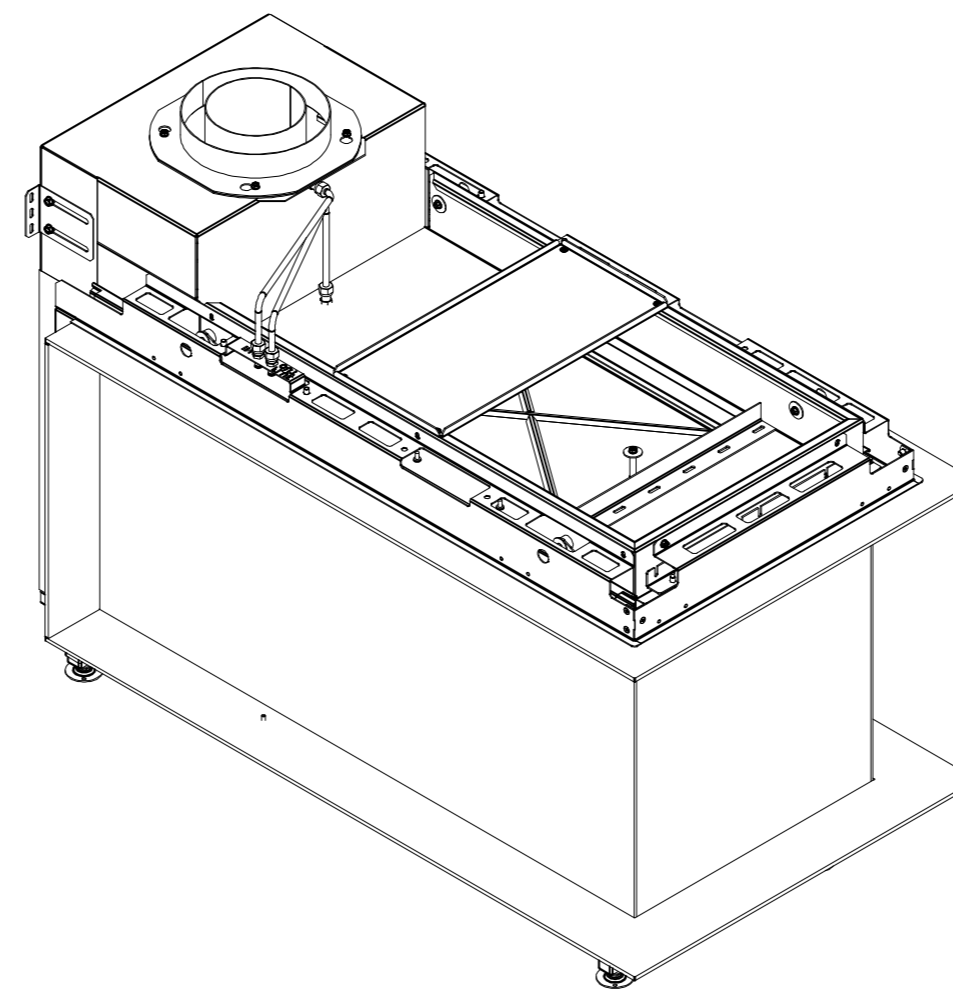
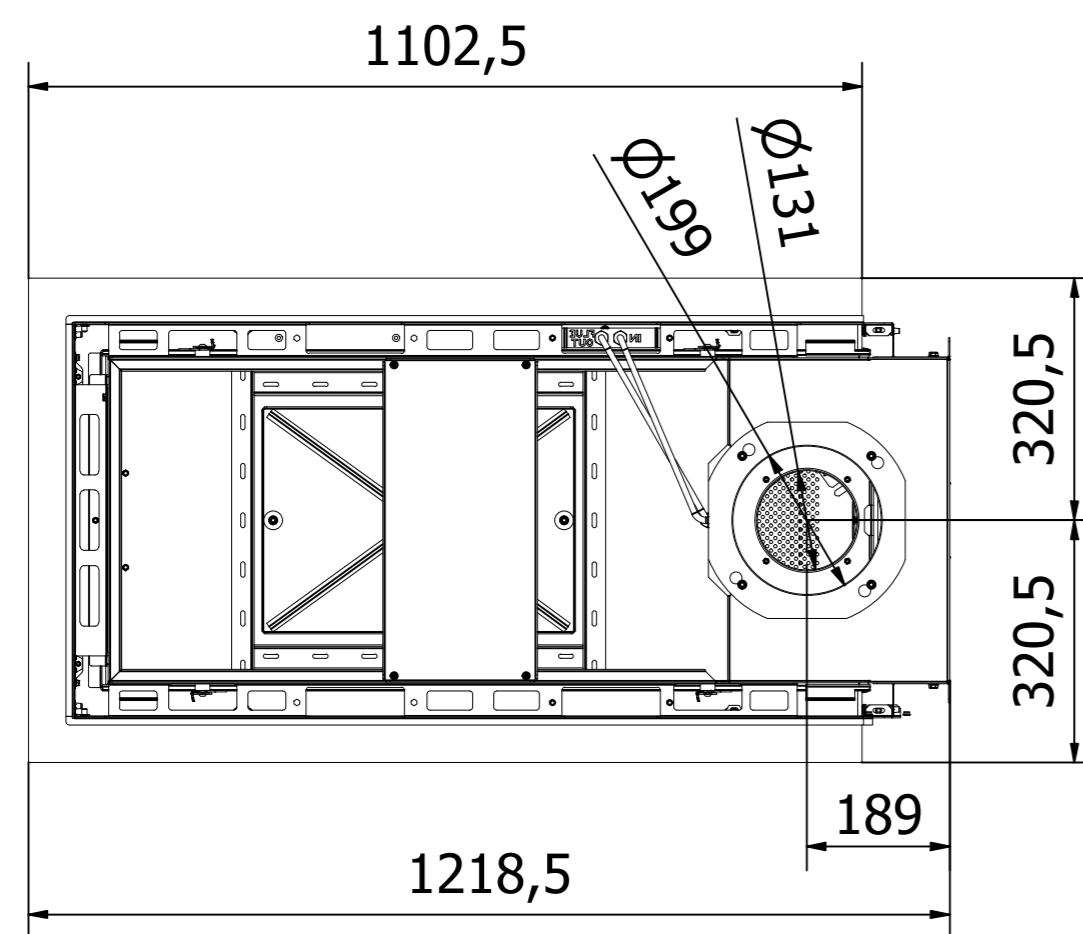
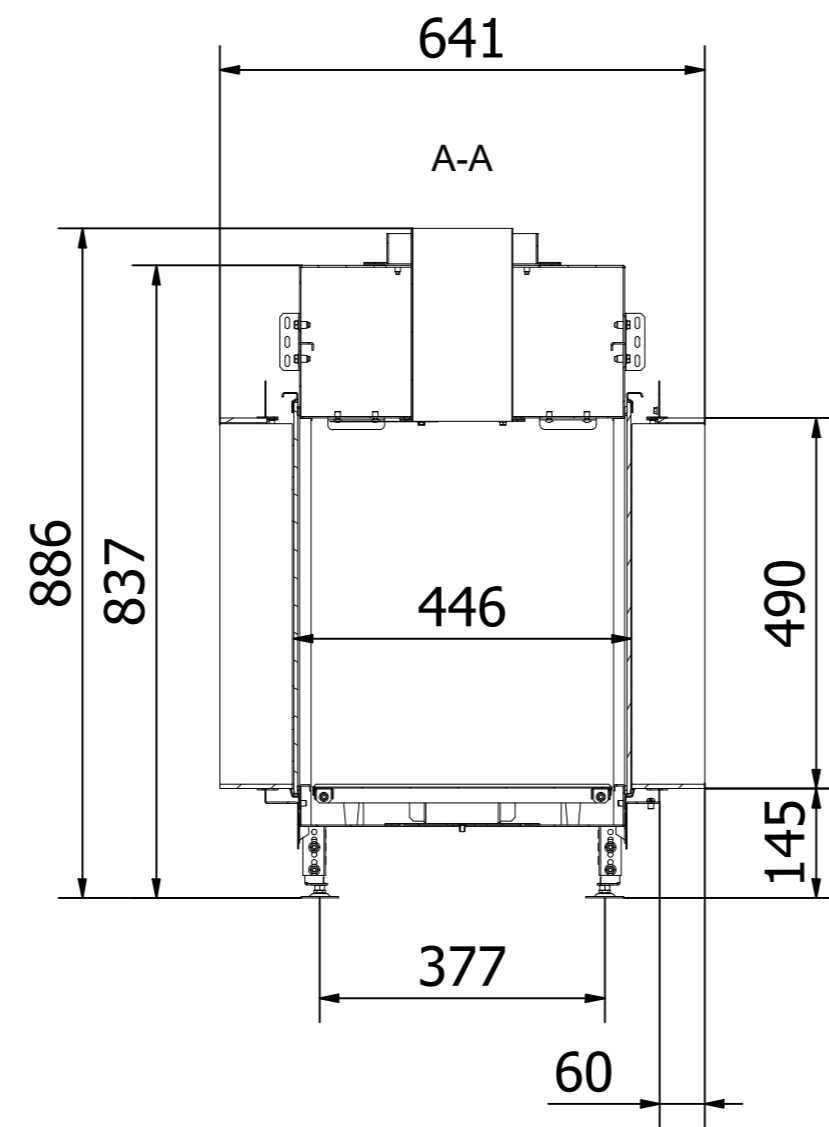
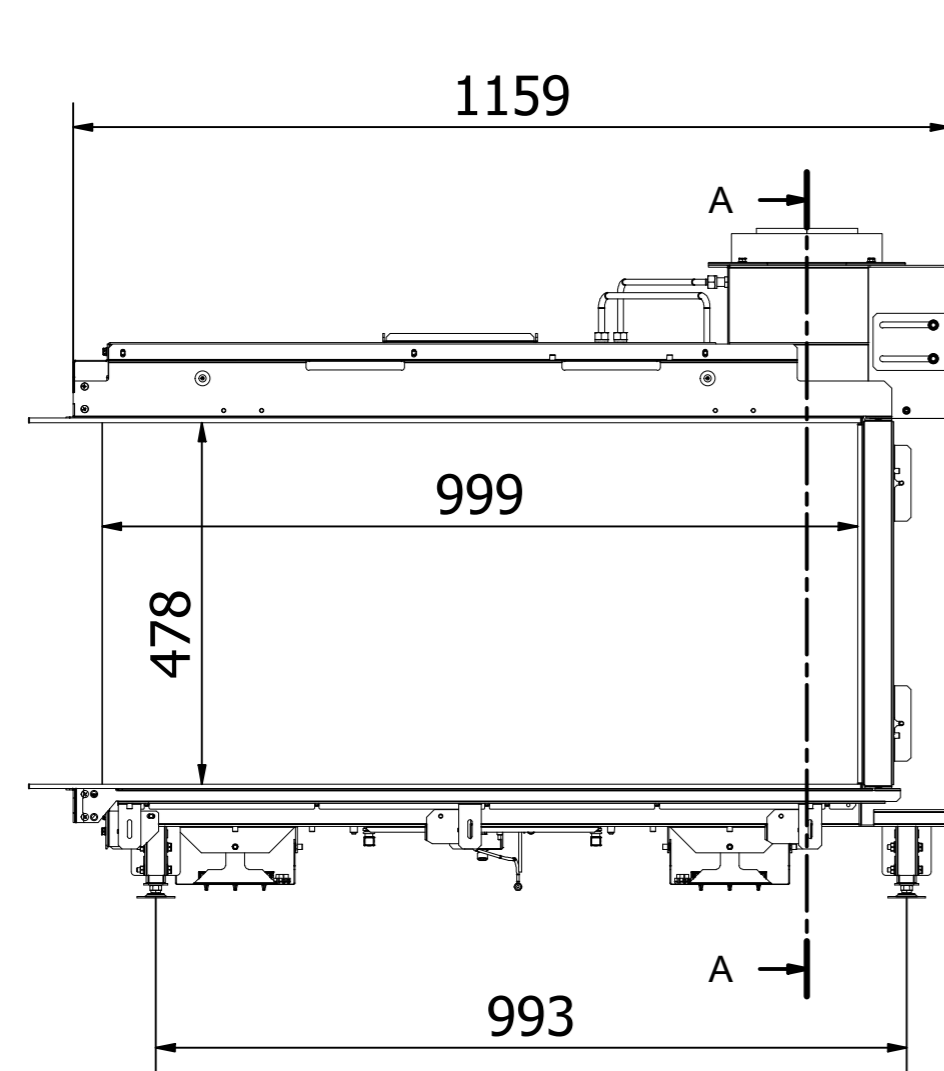
Recommended free
convection openings
min. 200 cm²



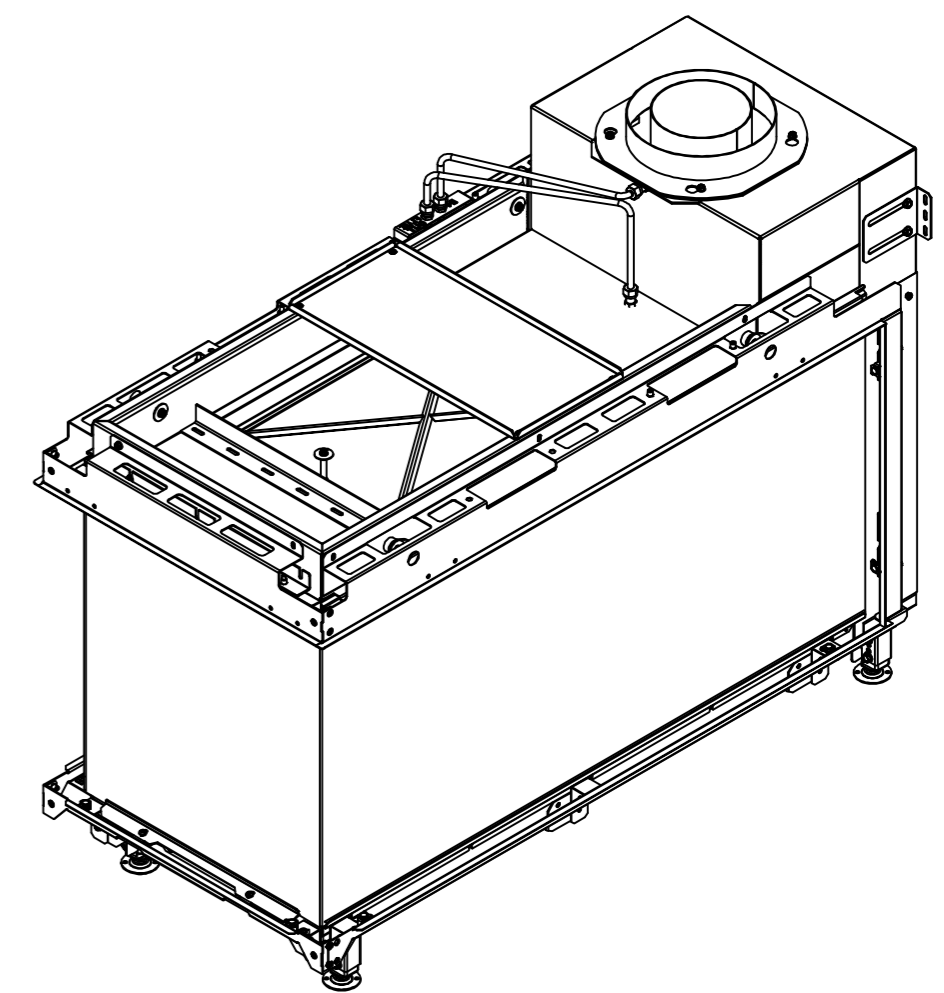
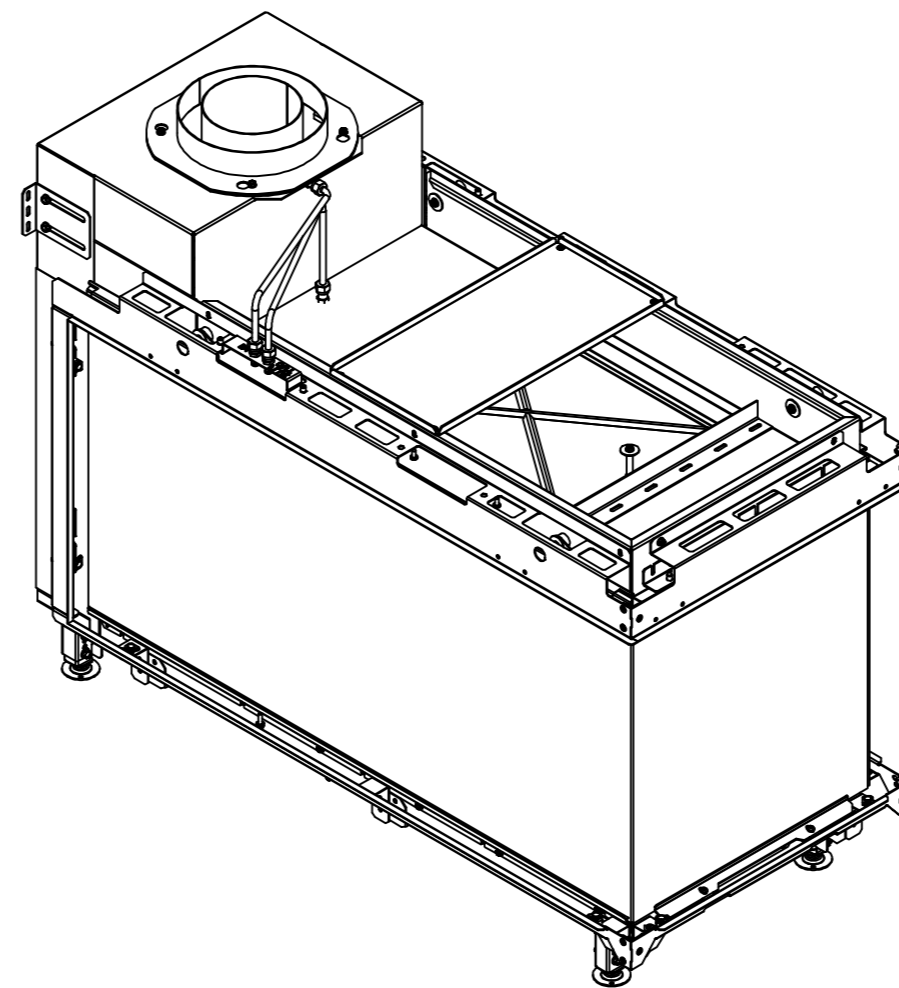
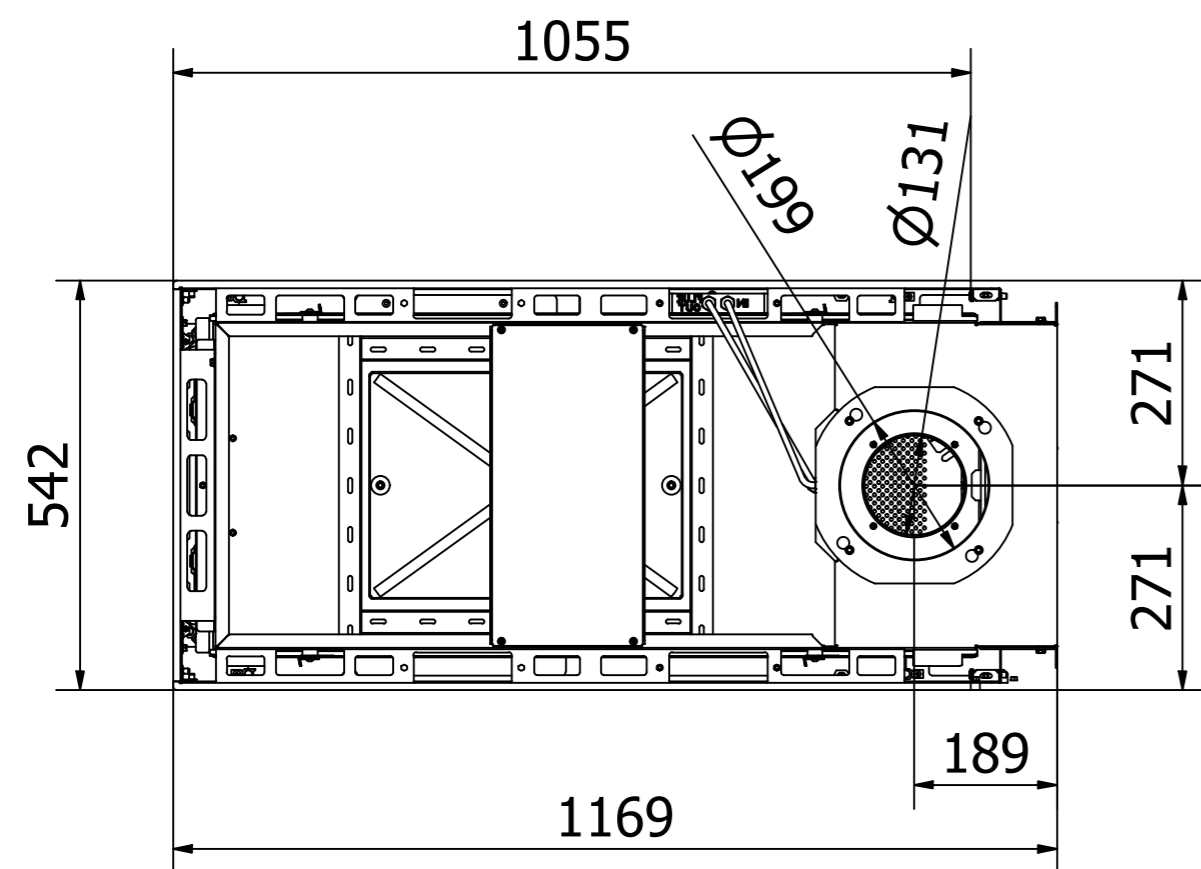
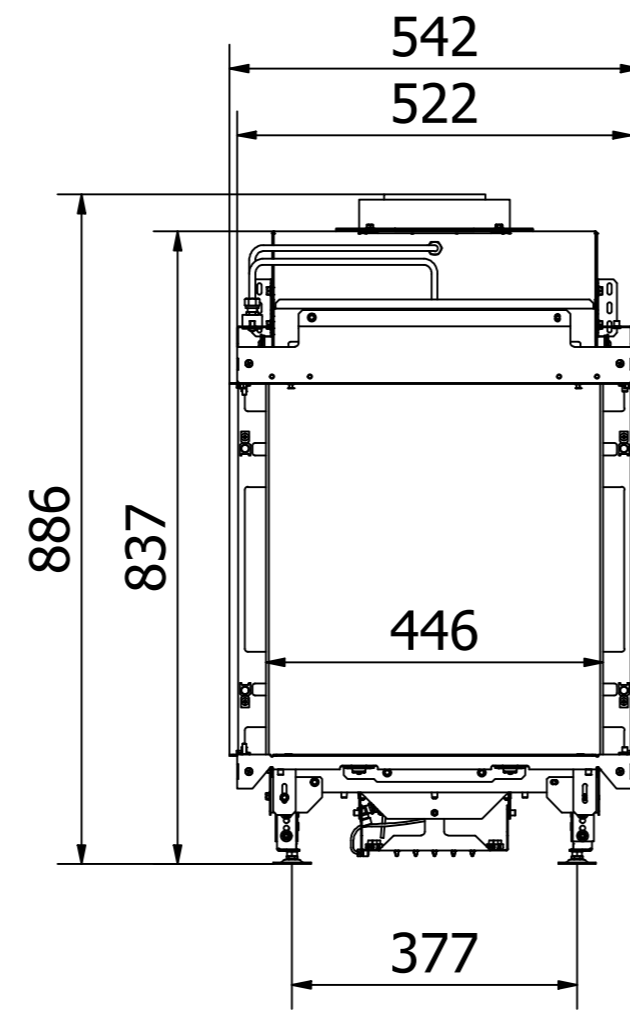
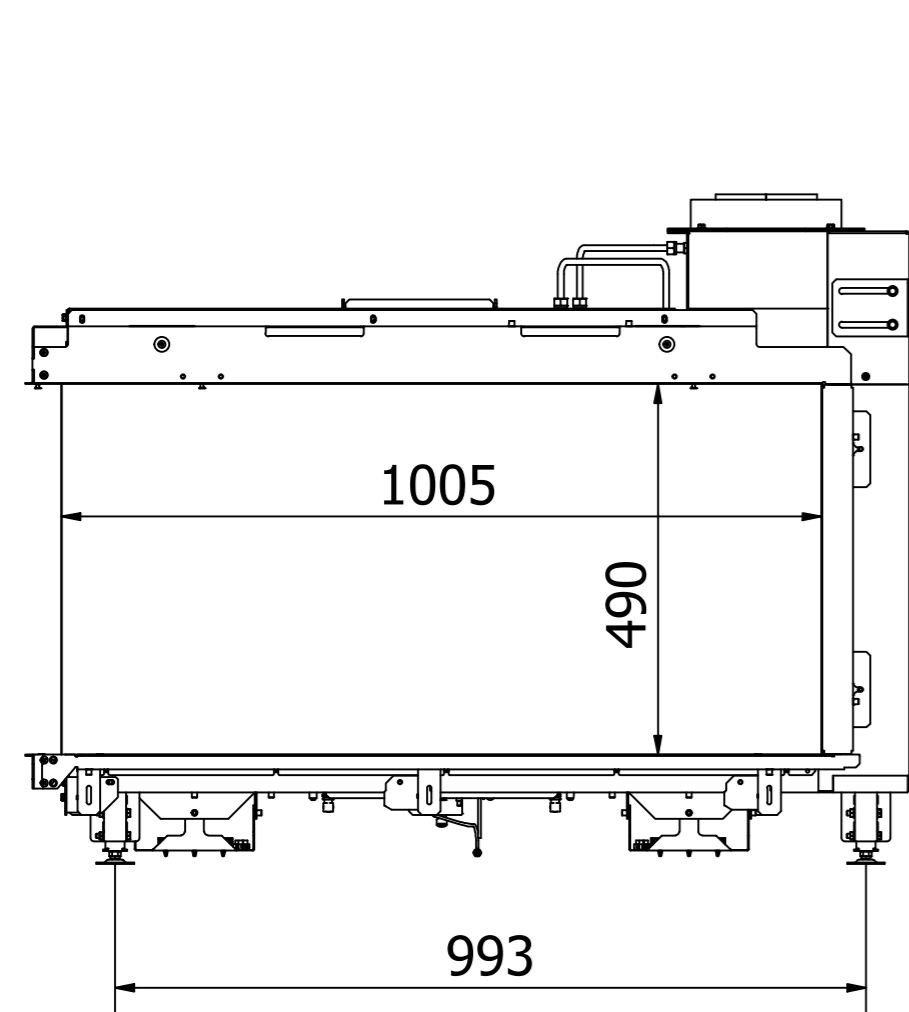
Recommended free
convection openings
min. 200 cm²



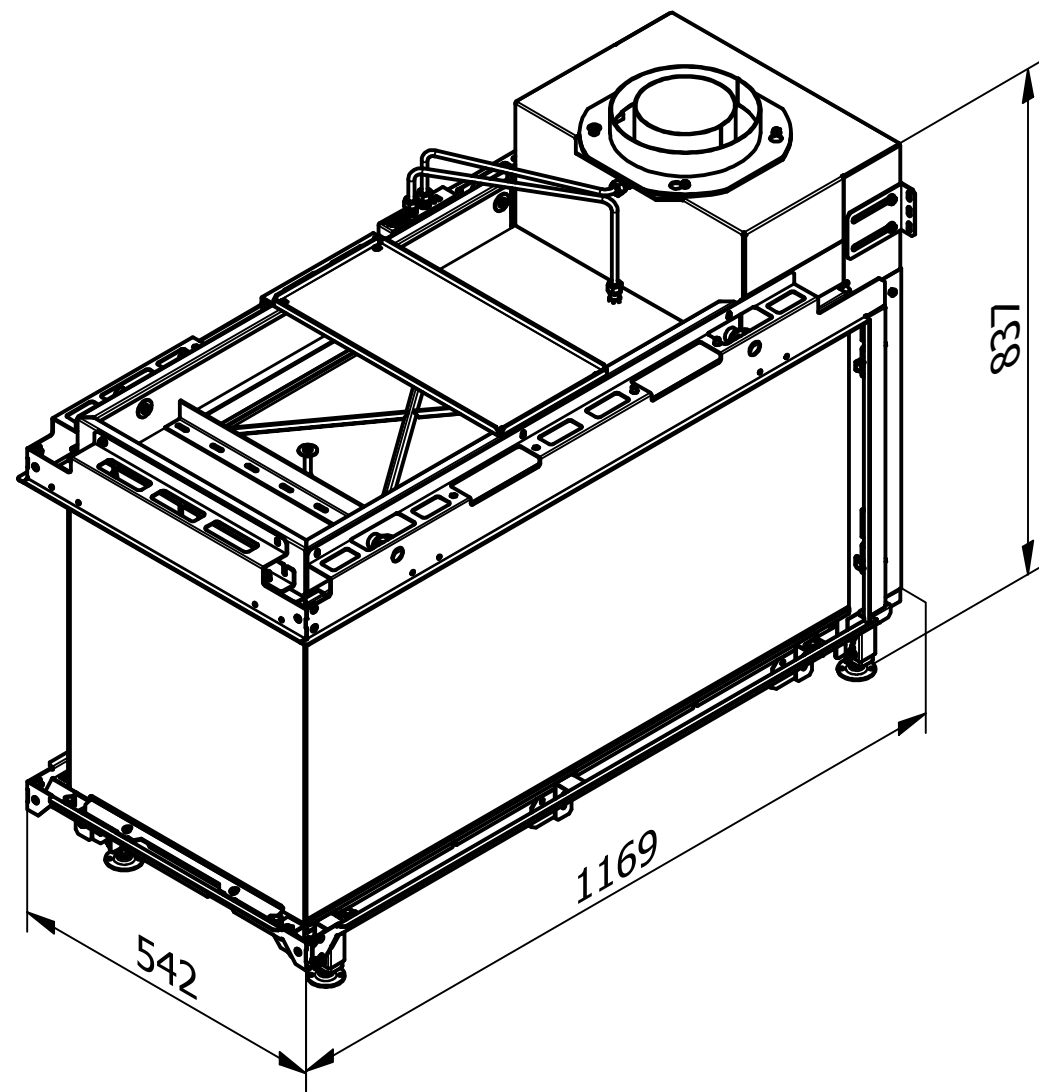
* = Check manual for
distances to combustible
materials.



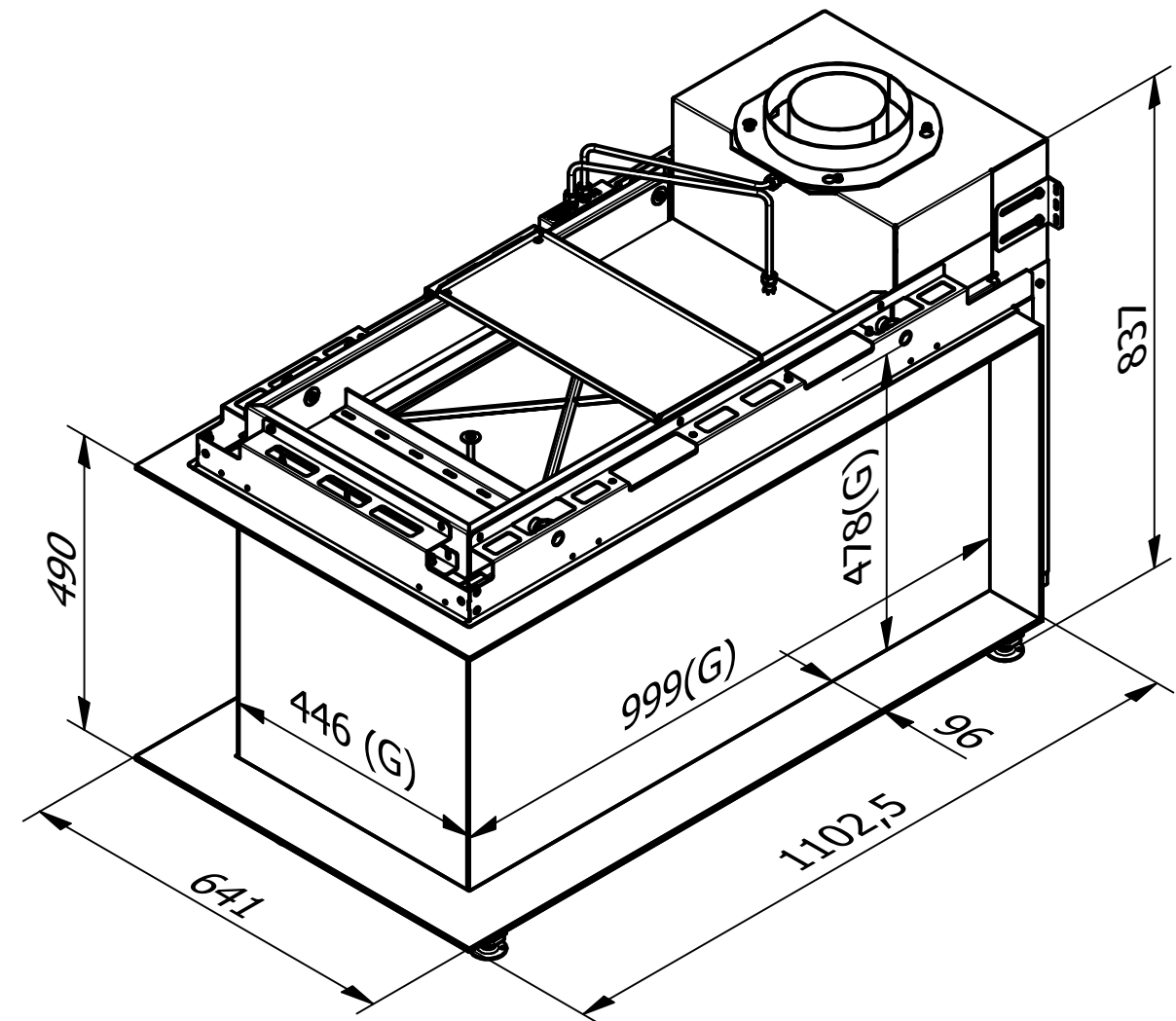
RAIS Visio Gas 43-49-100 RD-6541



RAIS Visio Gas 43-49-100 RD-6543

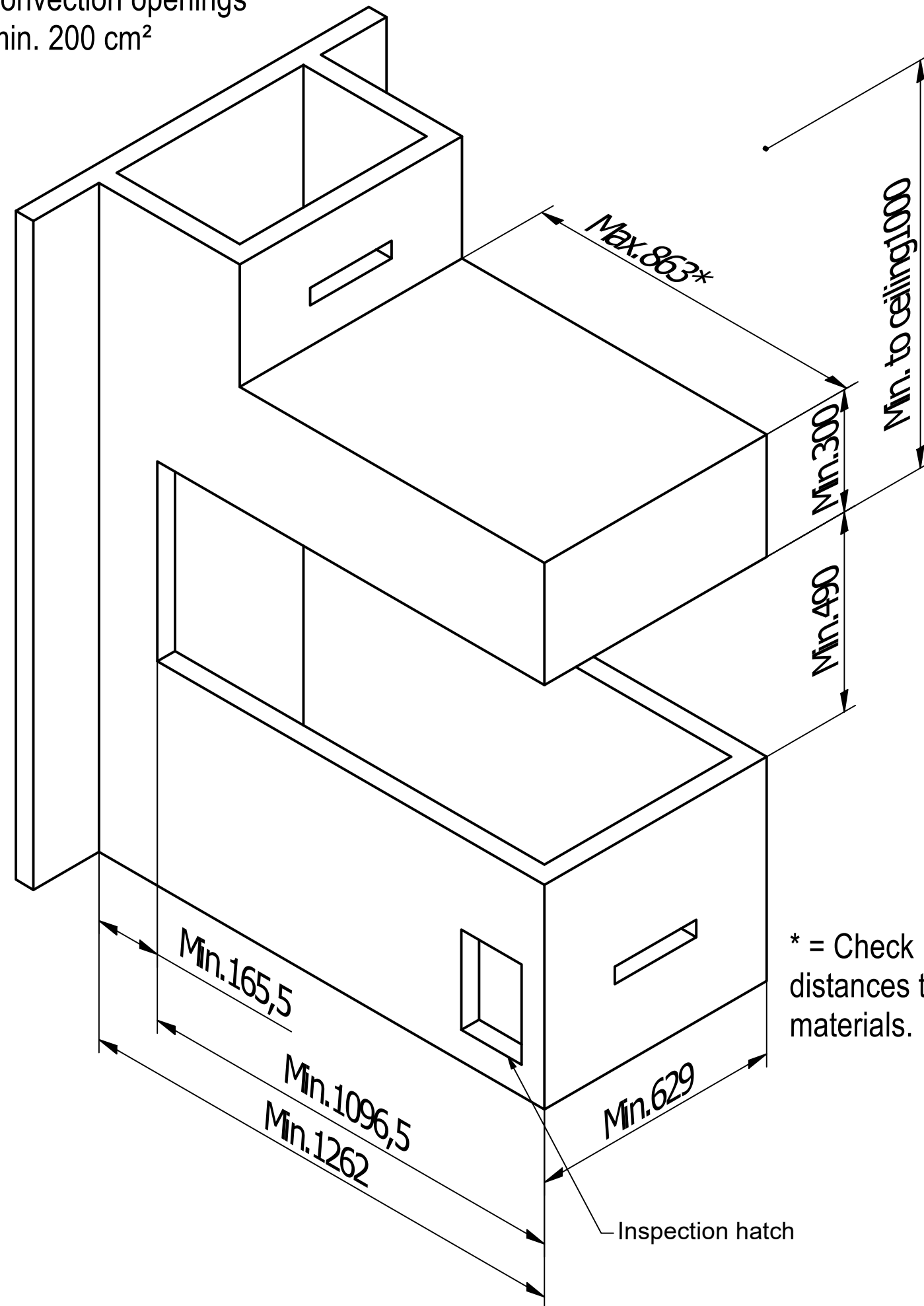


Without frame



With frame

Recommended free
convection openings
min. 200 cm²



* = Check manual for
distances to combustible
materials.