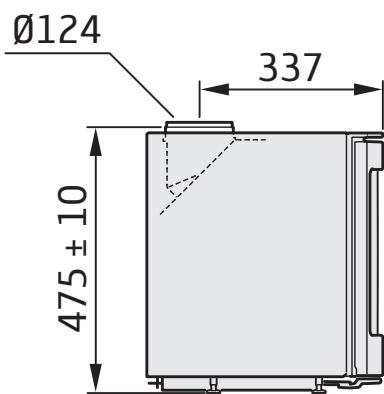
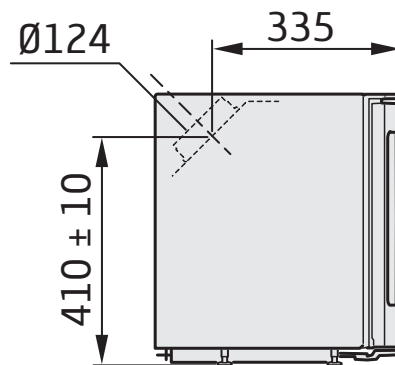


Flue connection - 45° Rear



Flue connection - Top



Flue connection - 45° Rear