

\* = optional air inlet  $\phi 125$  mm

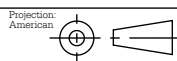
\*\* = optional extended adjustable legs, max +150 mm

**barbas**

Barbas Bellfires B.V.  
Hallenstraat 17  
5531 AB Bladel  
The Netherlands  
www.barbasbellfires.com

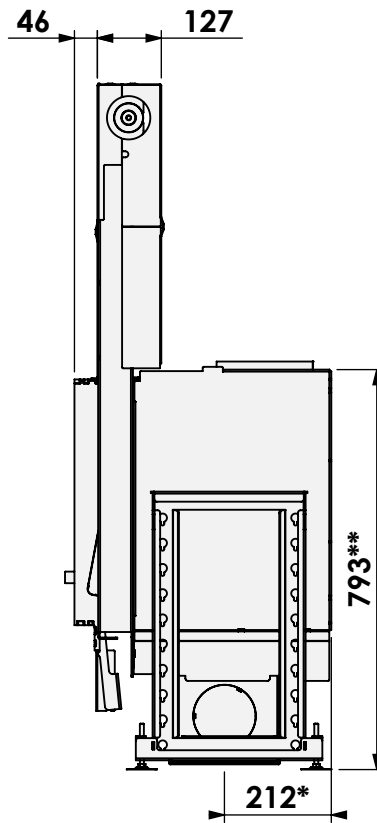
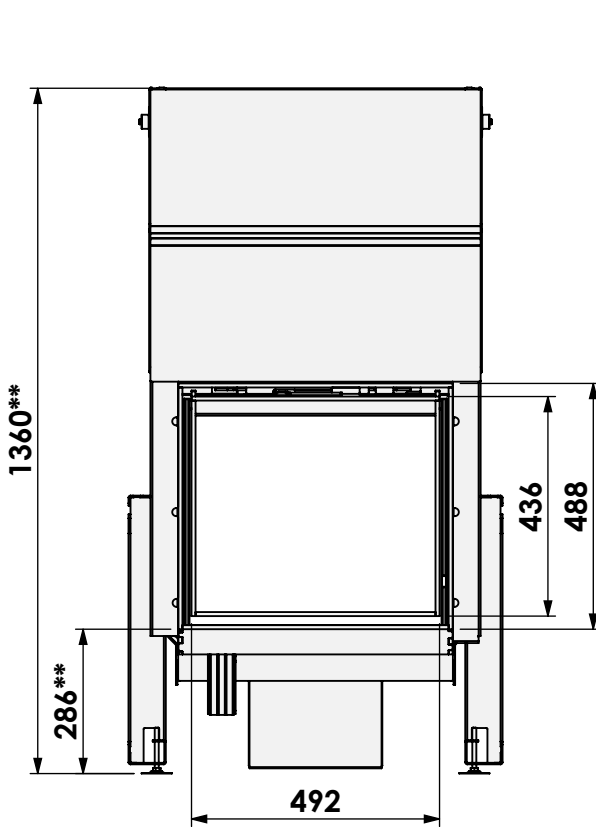
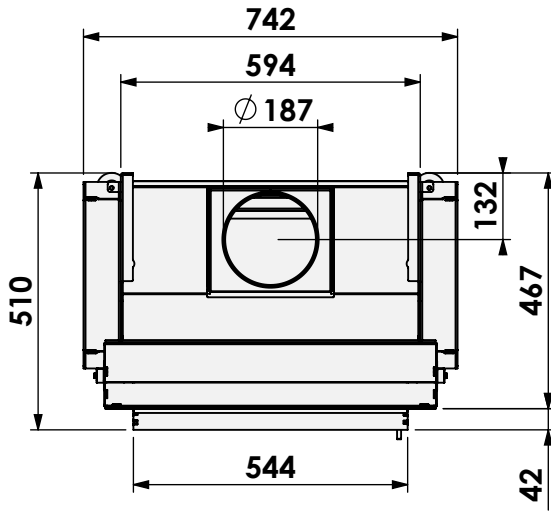
Name: **Evo-7 50-40**

Modifications reserved



Scale: **1:15**  
Unit: **mm**

Version: **0**



luchtbox  
airbox

\* = optional air inlet  $\varnothing$  125 mm

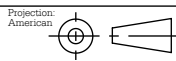
\*\* = optional extended adjustable legs, max +150 mm

**barbas**

Barbas Bellfires B.V.  
Hallenstraat 17  
5531 AB Bladel  
The Netherlands  
www.barbasbellfires.com

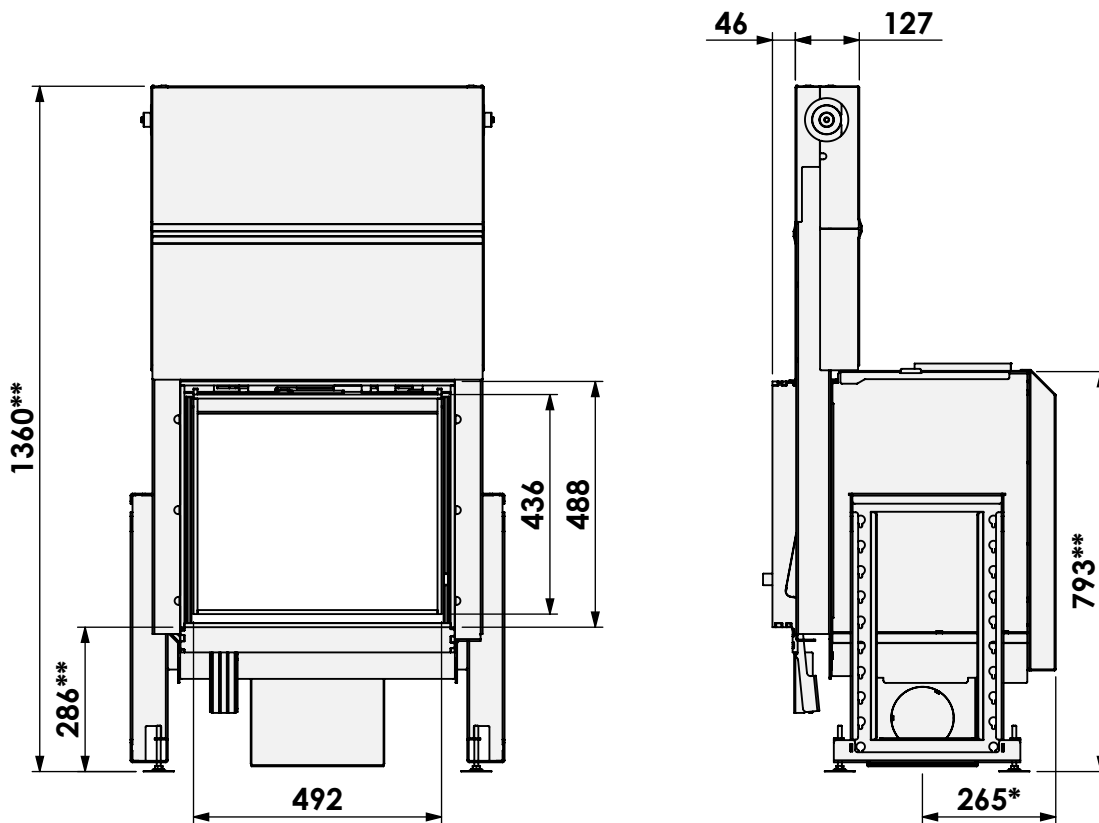
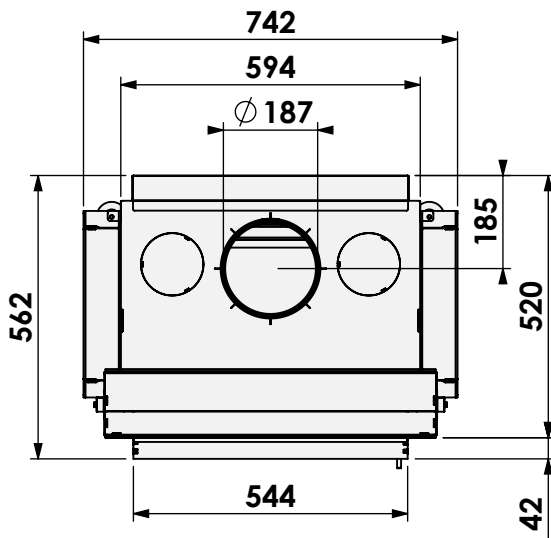
Name: **Evo-7 50-40**

Modifications reserved



Scale: **1:15**  
Unit: **mm**

Version: **0**



luchtbox, convectie  
airbox, convection casing

\* = optional air inlet  $\varnothing 125$  mm

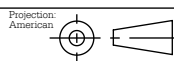
\*\* = optional extended adjustable legs, max +150 mm

**barbas**

Barbas Bellfires B.V.  
Hallenstraat 17  
5531 AB Bladel  
The Netherlands  
www.barbasbellfires.com

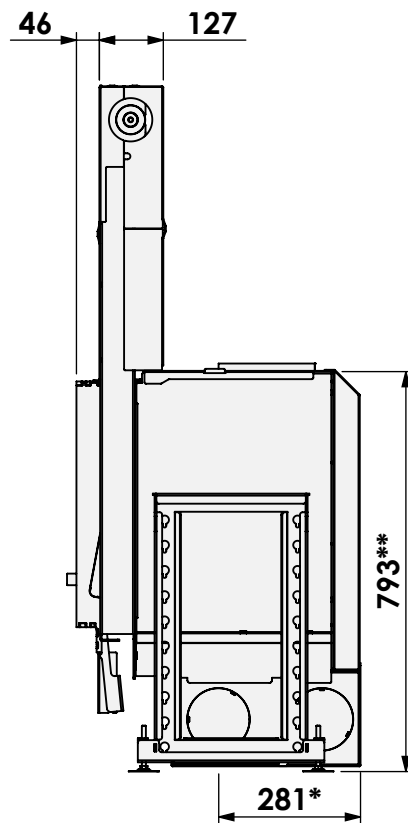
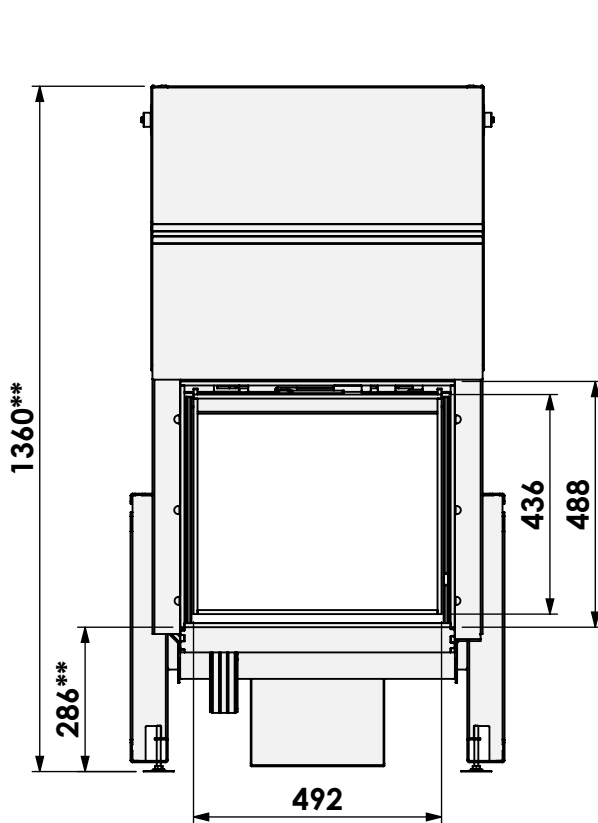
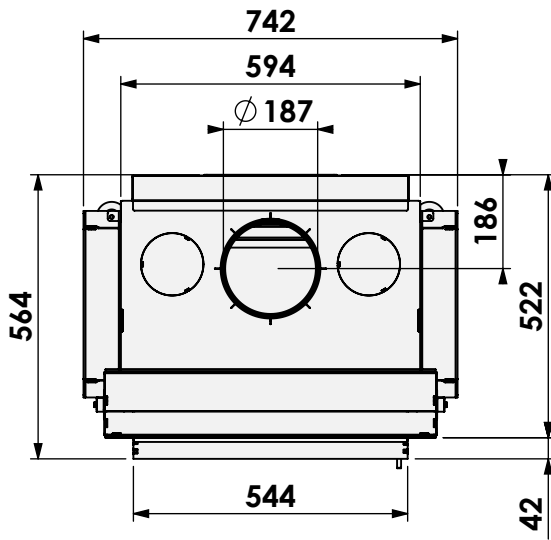
Name: **Evo-7 50-40**

Modifications reserved



Scale: **1:15**  
Unit: **mm**

Version: **0**



Opti-Air en/of ventilator  
 Opti-Air and/or fan

\* = optional air inlet  $\varnothing$  125 mm

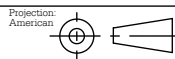
\*\* = optional extended adjustable legs, max +150 mm

**barbas**

Barbas Bellfires B.V.  
 Hallenstraat 17  
 5531 AB Bladel  
 The Netherlands  
 www.barbasbellfires.com

Name: **Evo-7 50-40**

Modifications reserved



Scale: **1:15**  
 Unit: **mm**

Version: **0**