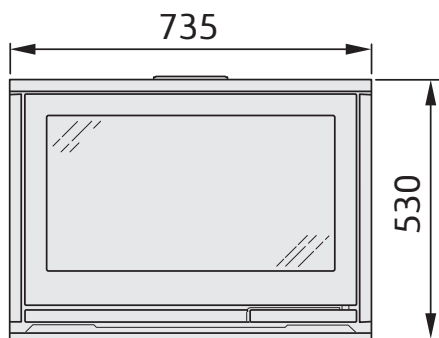
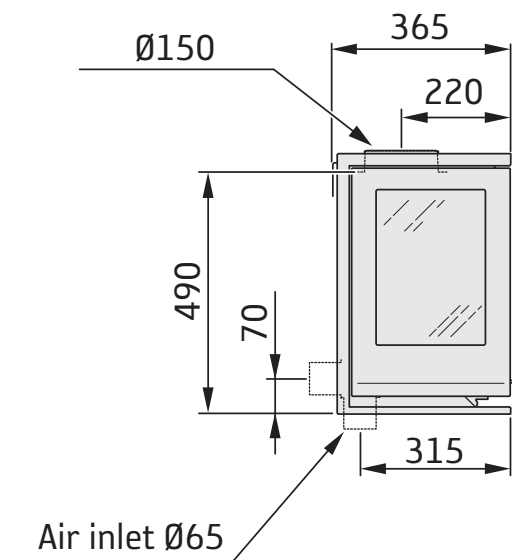
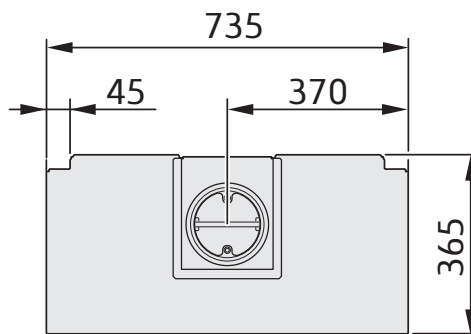


i8, glass both sides

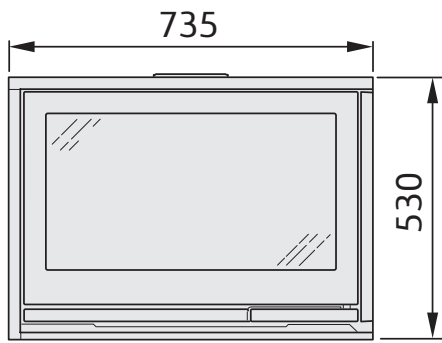


Adapter 150 mm

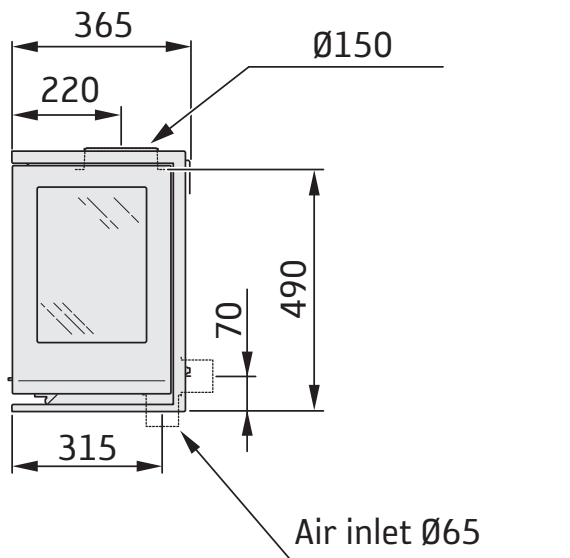
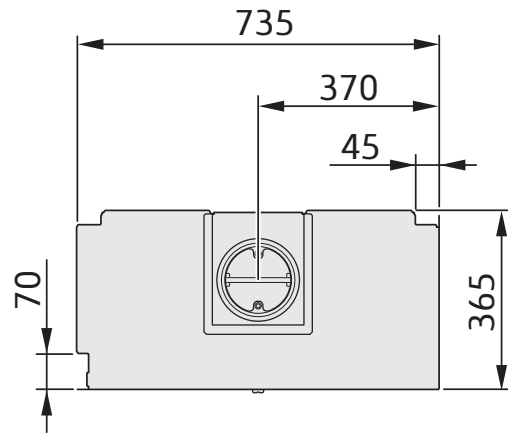


There must be an opportunity for air to circulate around the insert. For more information, see the installation instructions.

i8, glass right side (same dimensions apply to the left side)



Adapter 150 mm



There must be an opportunity for air to circulate around the insert. For more information, see the installation instructions.