

inbouw kader
 built-in frame
 cadre encastrable
 Einbaurahmen

bellfires

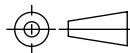
Barbas Bellfires B.V.
 Hallenstraat 17
 5531 AB Bladel
 The Netherlands
www.barbasbellfires.com

Name: **Smart Bell 90-80**

Modifications
 reserved

Projection:

American



Scale:

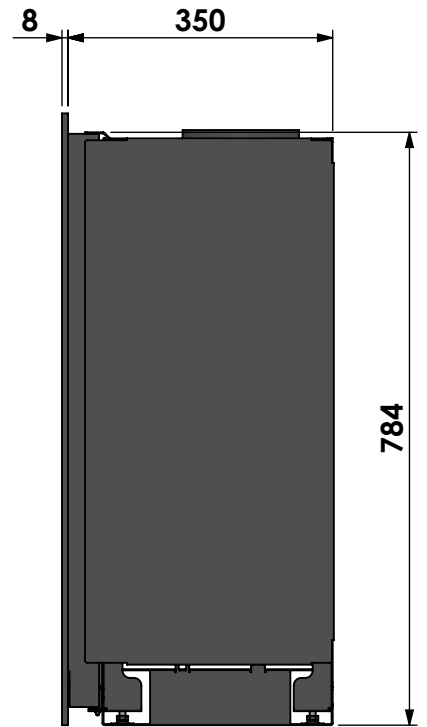
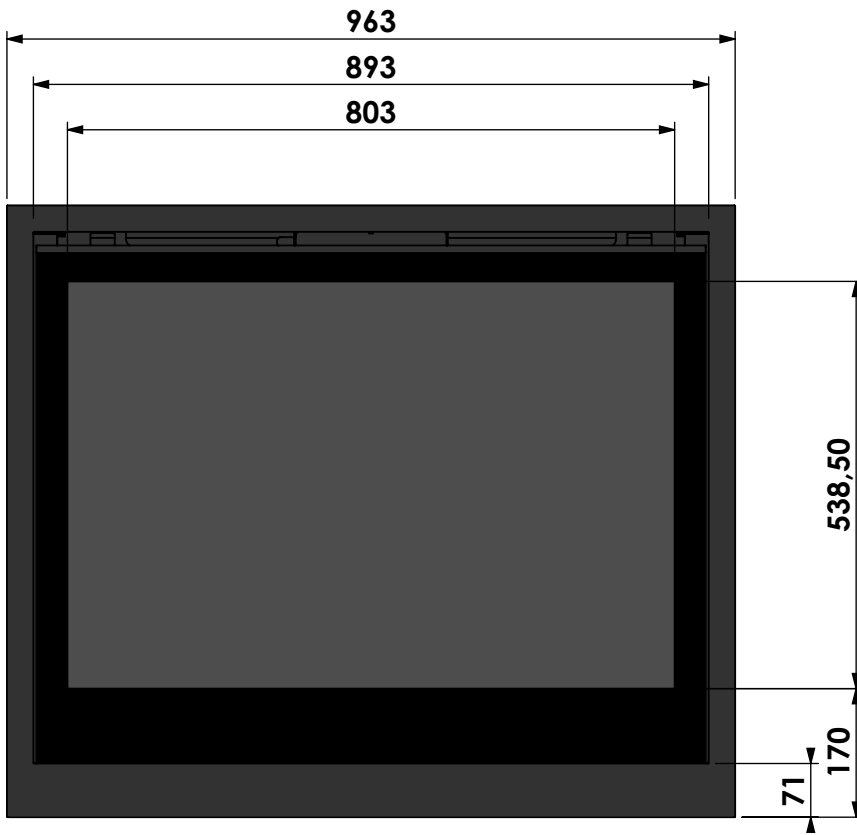
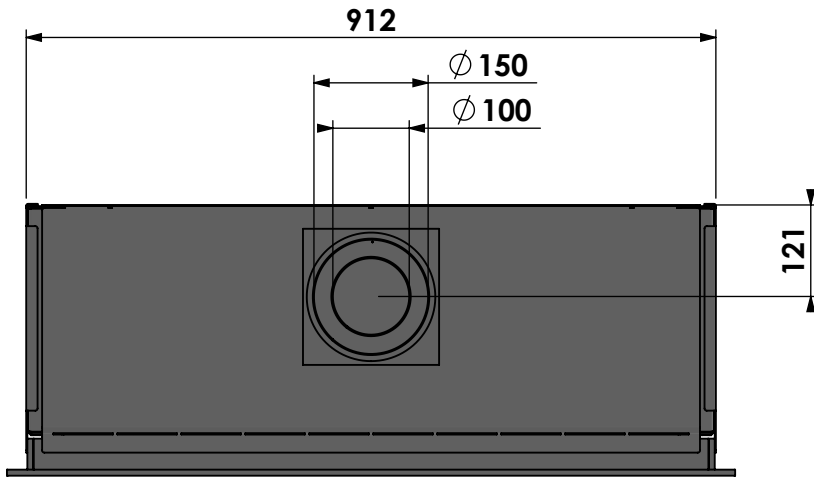
1:10

Version:

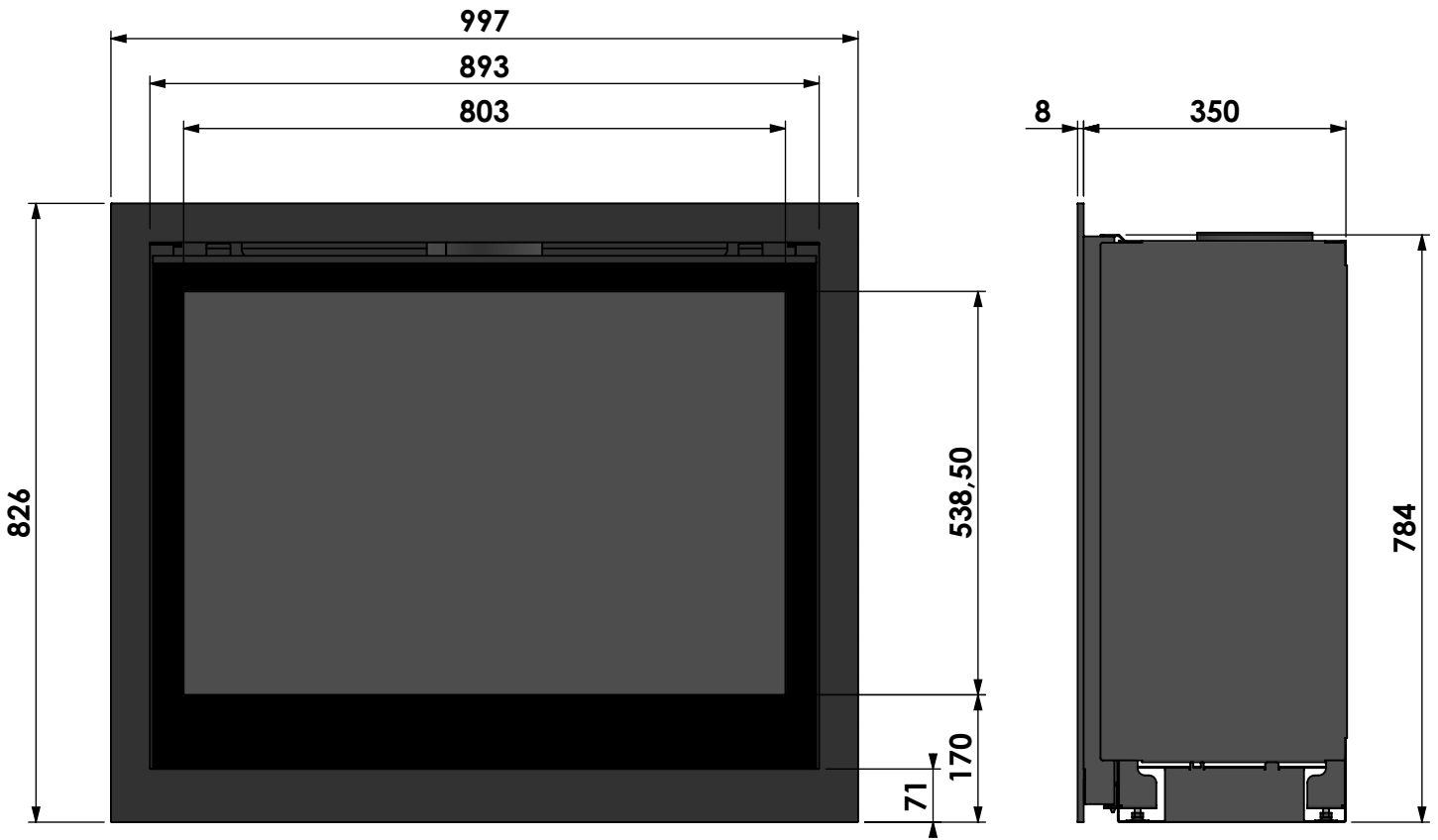
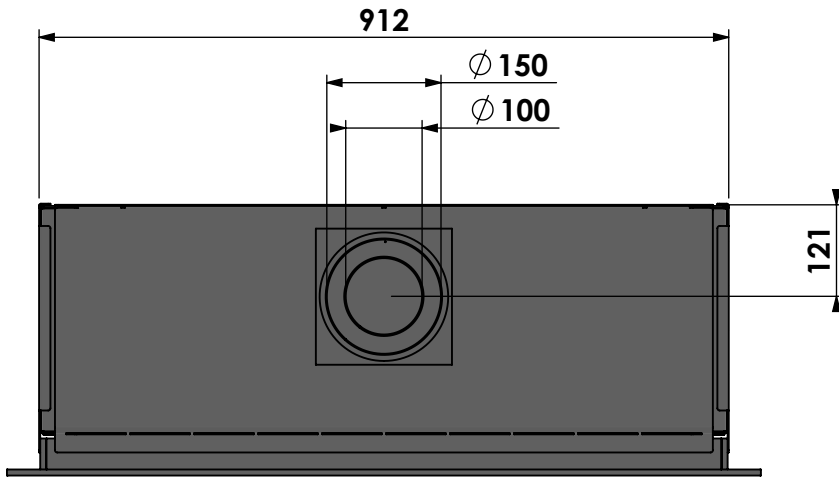
0

Unit:

mm



klassiek kader 35mm
 classic frame 35mm
 cadre classique 35mm
 klassischer Rahmen 35mm



klassiek kader 52mm
 classic frame 52mm
 cadre classique 52mm
 klassischer Rahmen 52mm

bellfires

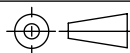
Barbas Bellfires B.V.
 Hallenstraat 17
 5531 AB Bladel
 The Netherlands
www.barbasbellfires.com

Name: **Smart Bell 90-80**

Modifications
 reserved

Projection:

American



Scale:

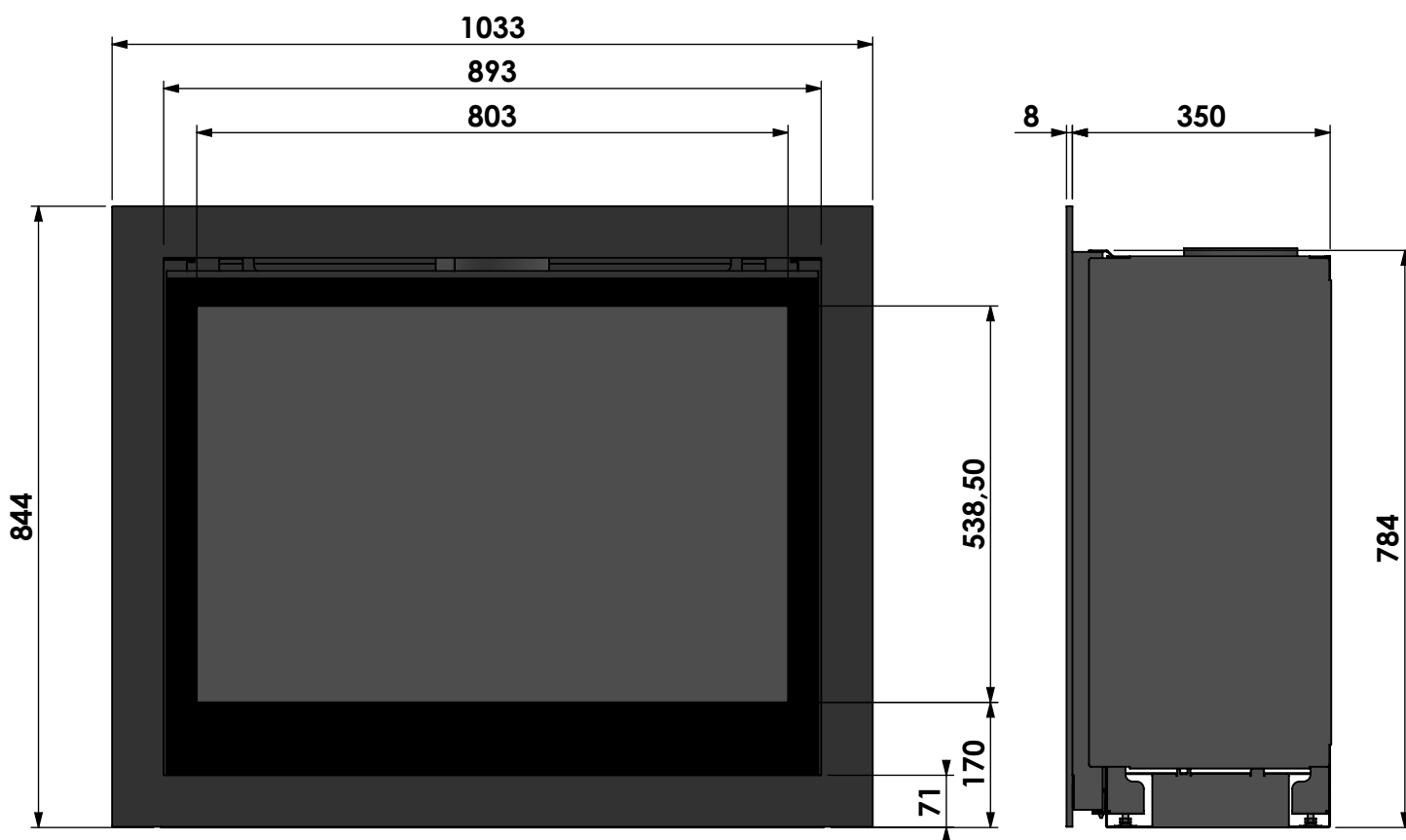
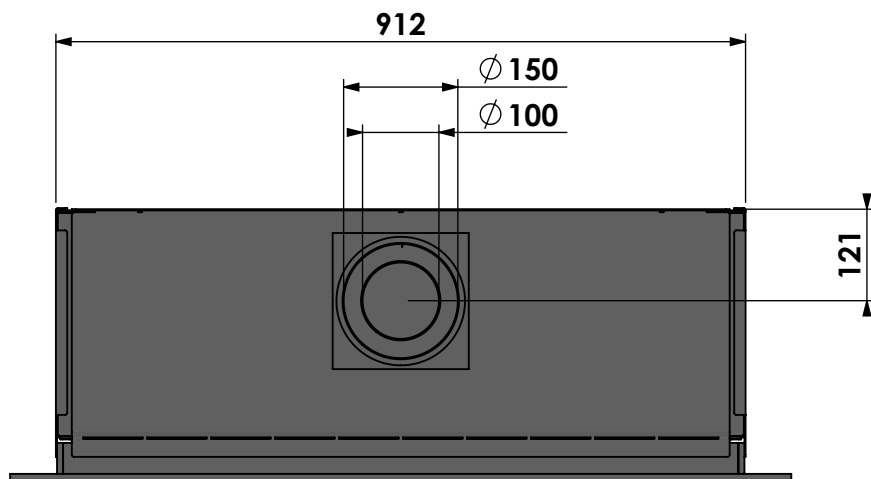
1:10

Version:

0

Unit:

mm



klassiek kader 70mm
 classic frame 70mm
 cadre classique 70mm
 klassischer Rahmen 70mm

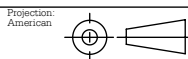
bellfires

Barbas Bellfires B.V.
 Hallenstraat 17
 5531 AB Bladel
 The Netherlands
www.barbasbellfires.com

Name: **Smart Bell 90-80**

Modifications
 reserved

Projection:



Scale:

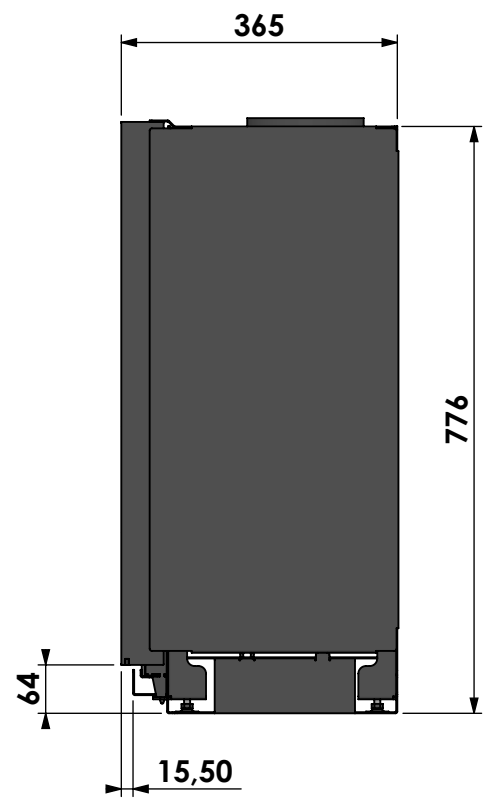
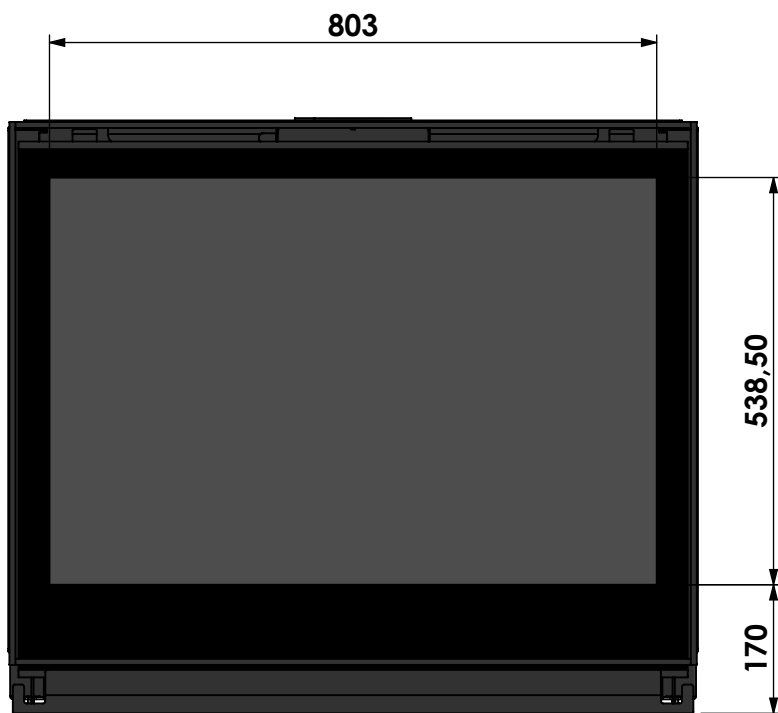
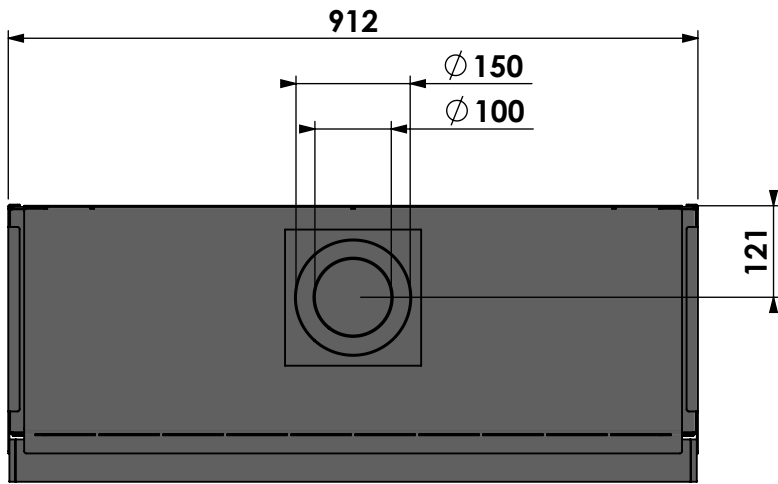
1:10

Version:

0

Unit:

mm



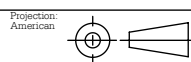
verdiept kader 15mm
 insert frame 15mm
 cadre de profondeur 15mm
 vertiefter Rahmen 15mm

bellfires

Barbas Bellfires B.V.
 Hallenstraat 17
 5531 AB Bladel
 The Netherlands
www.barbasbellfires.com

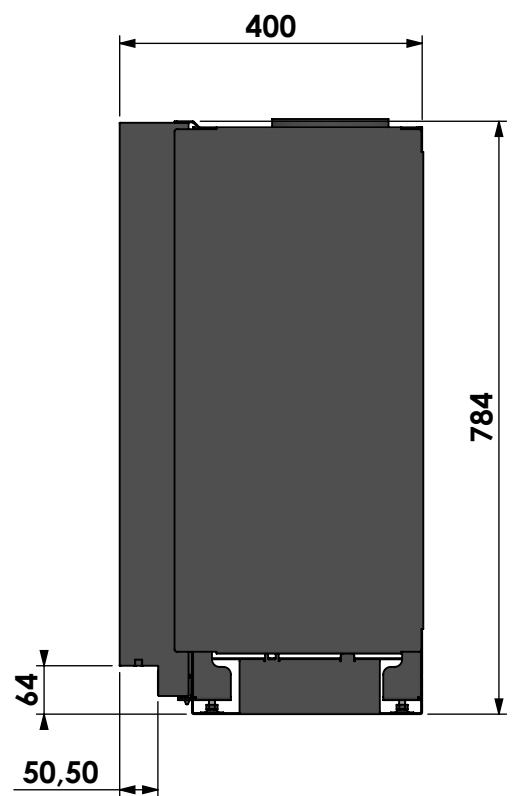
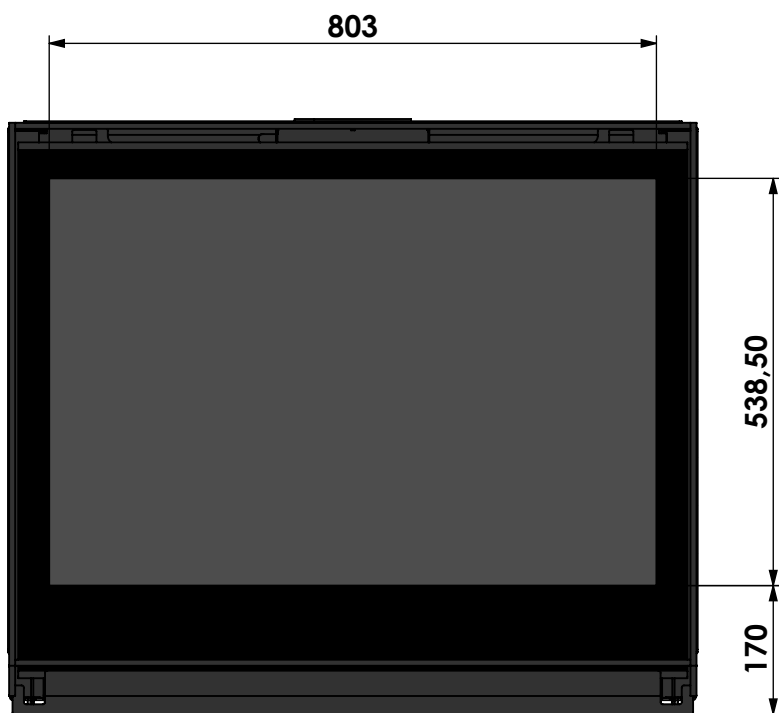
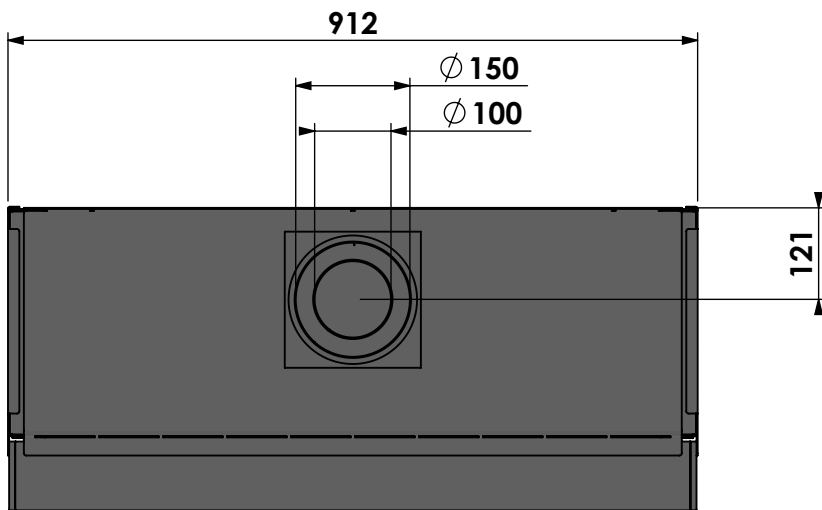
Name: **Smart Bell 90-80**

Modifications reserved

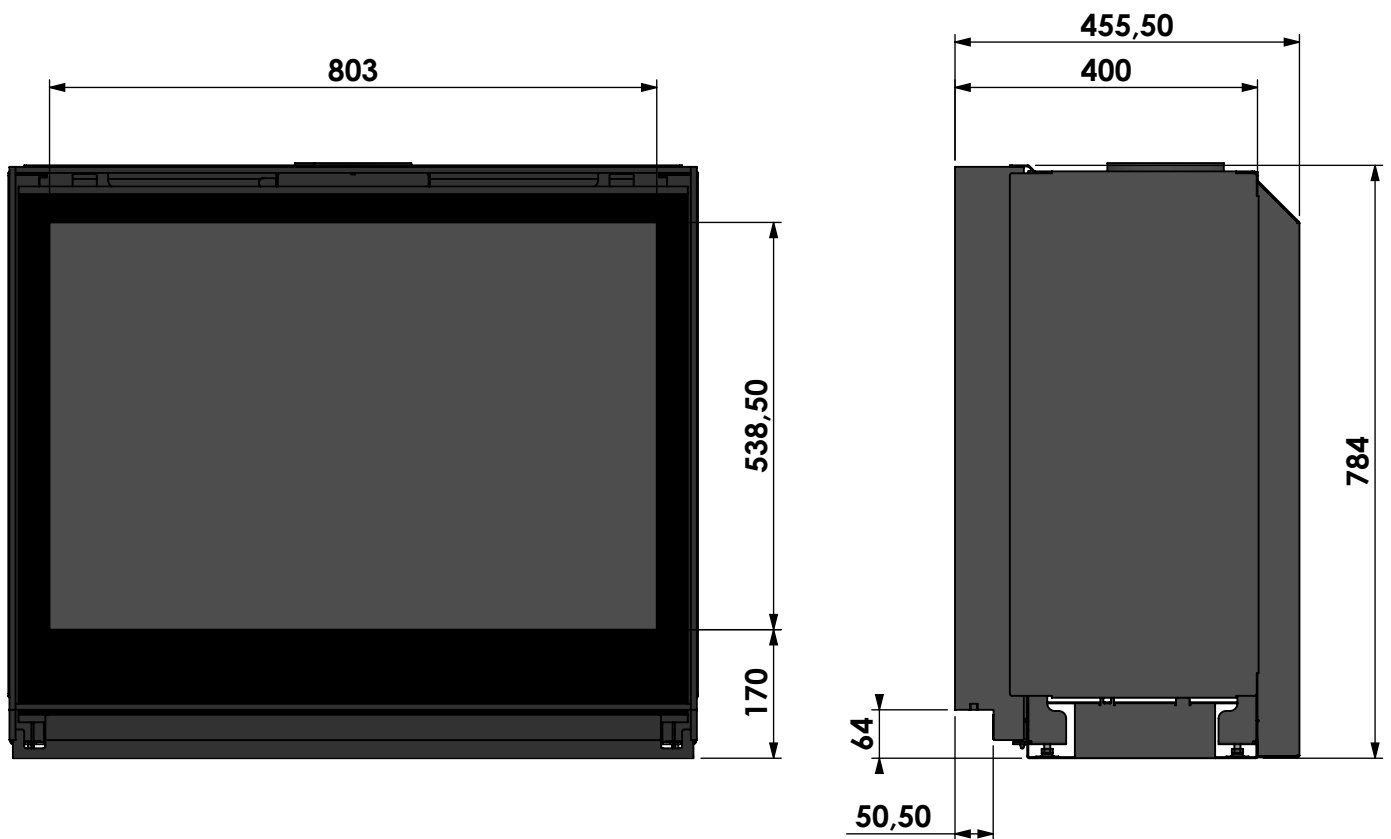
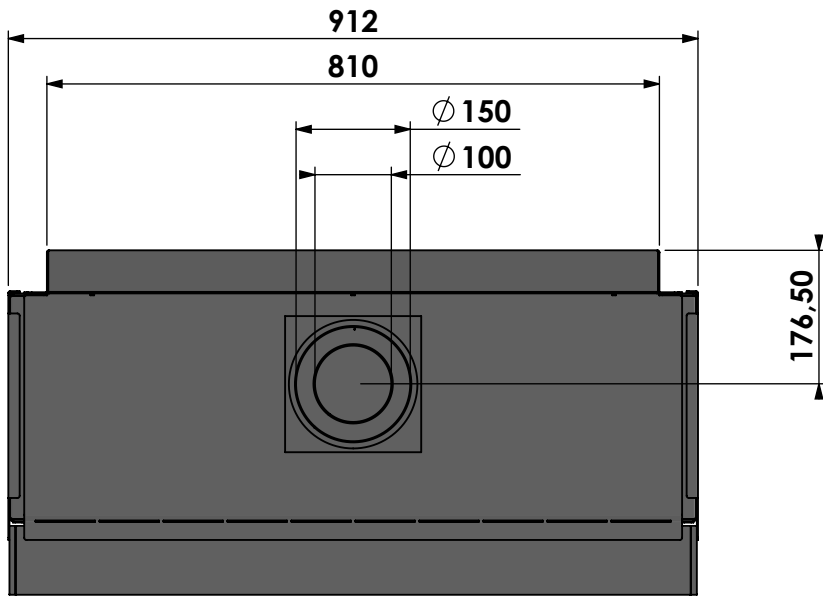


Scale: **1:10**
Unit: **mm**

Version: **0**



verdiept kader 50mm
 insert frame 50mm
 cadre de profondeur 50mm
 vertiefter Rahmen 50mm



verdiept kader 50mm met convectieventilator
 insert frame 50mm with convection ventilator
 cadre de profondeur 50mm avec ventilateur de convection
 vertiefter Rahmen 50mm mit Konvektionsventilator

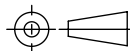
bellfires

Barbas Bellfires B.V.
 Hallenstraat 17
 5531 AB Bladel
 The Netherlands
www.barbasbellfires.com

Name: **Smart Bell 90-80**

Modifications reserved

Projection: American



Scale: **1:10**

Unit: **mm**

Version:

0